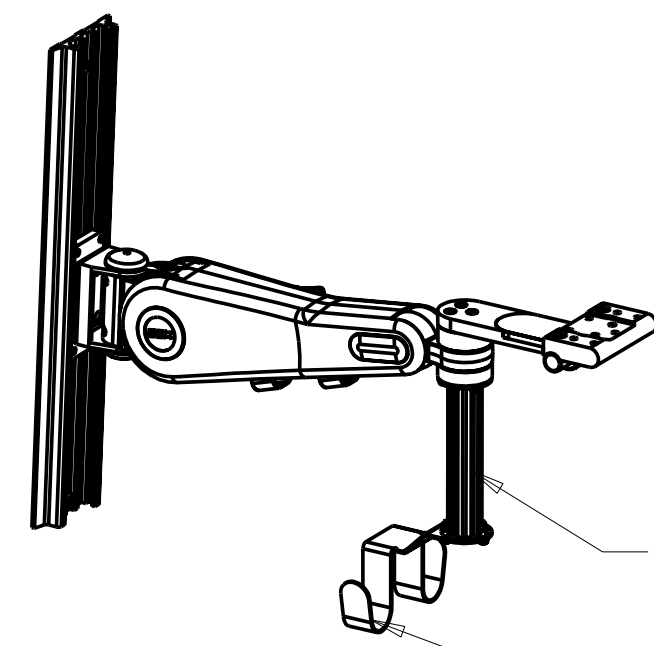


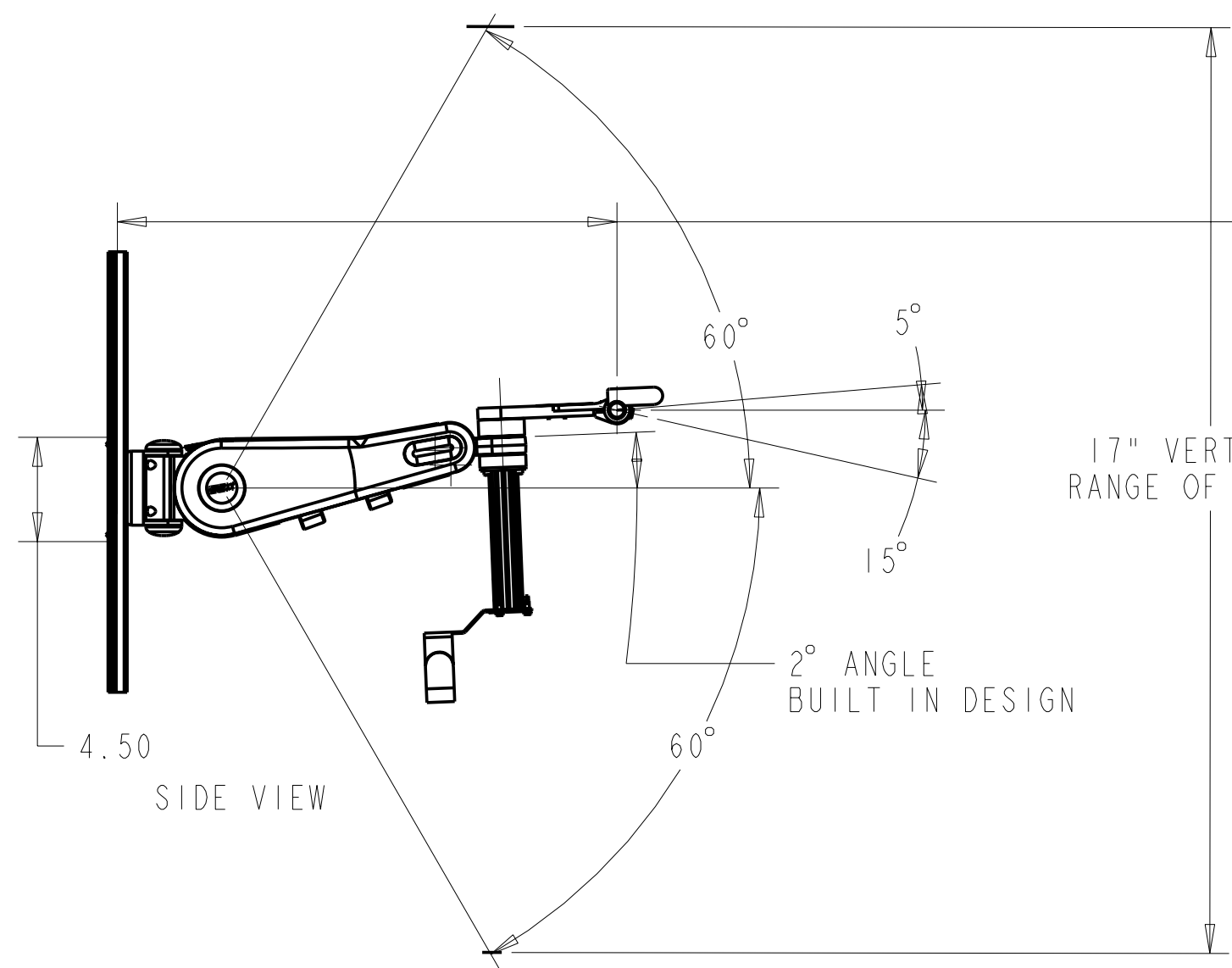
TOP VIEW



ISO VIEW FOR REFERENCE ONLY

6" DOWNPOST

UTILITY HOOK

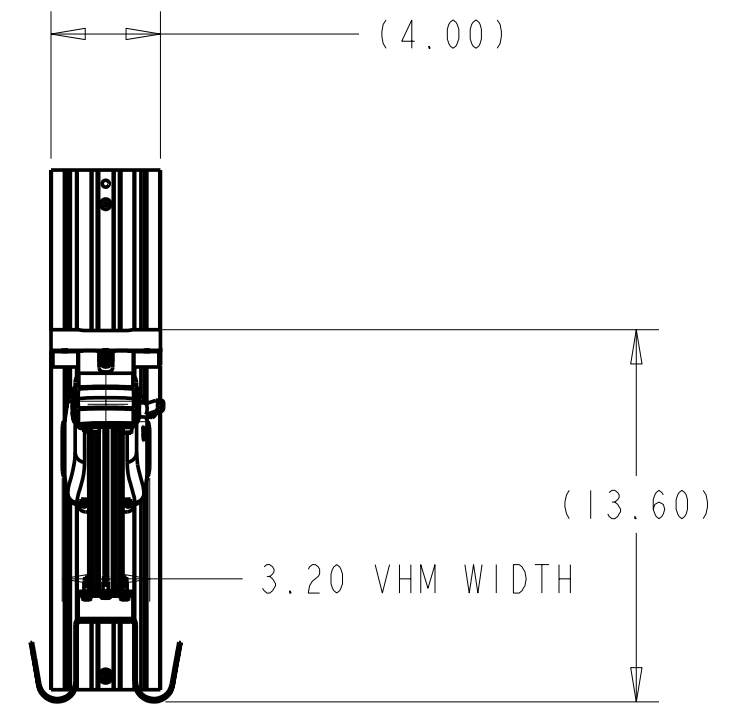


SIDE VIEW

22" FROM WALL MOUNT PLATE TO FRONT PIVOT AXIS

17" VERTICAL RANGE OF MOTION

2° ANGLE BUILT IN DESIGN



FRONT VIEW

- Total Weight: 10.8 pounds
- VHM: 8 Pounds
- Downpost: .3 pounds
- Utility Hook: .5 pounds
- 19" Wall Channel: 2 pounds