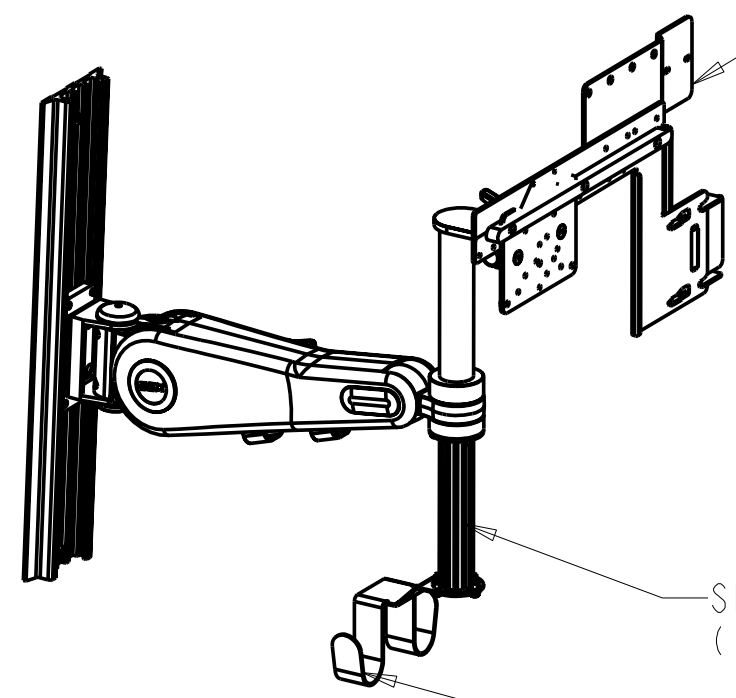


TOP VIEW

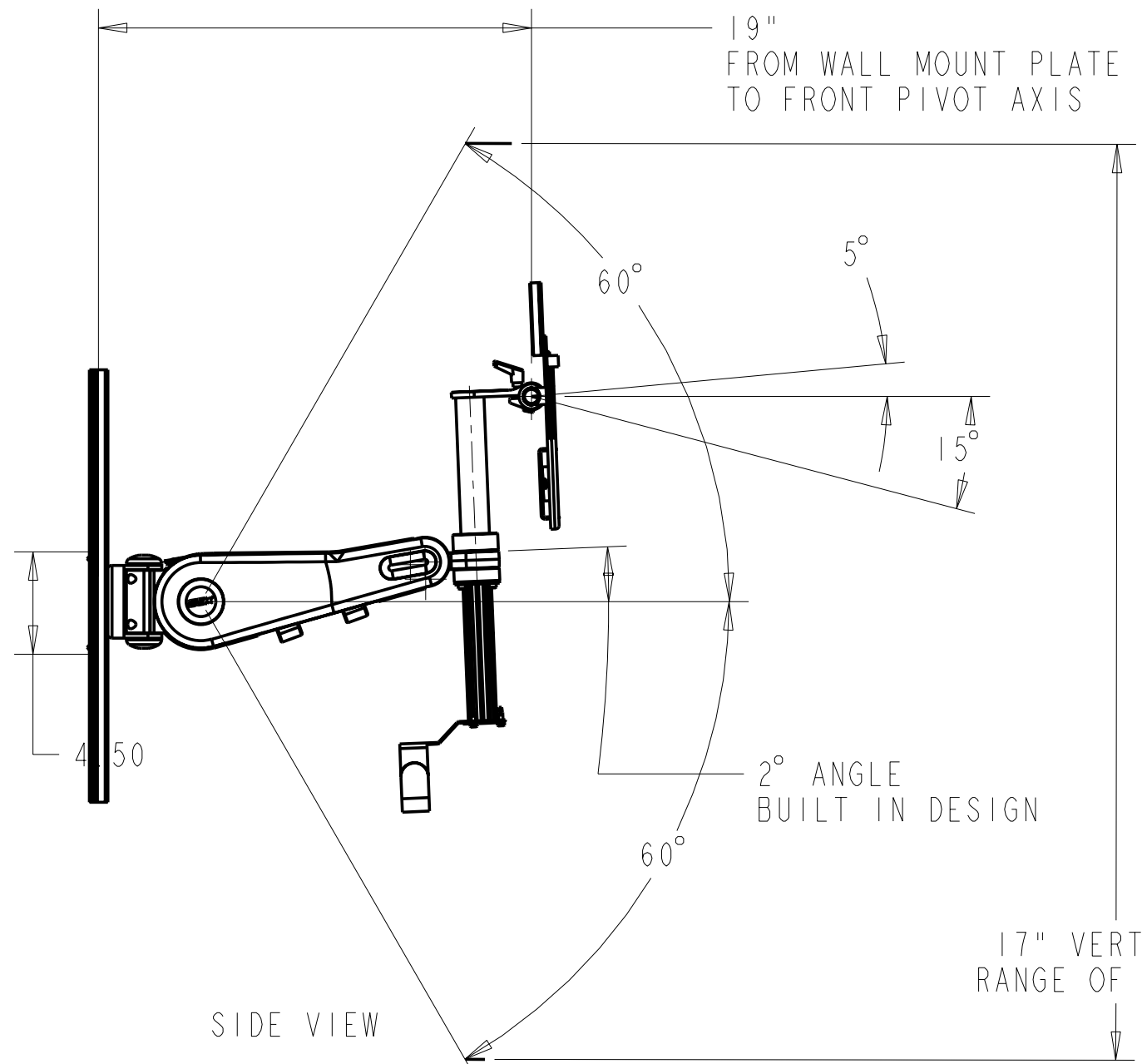


BRACKET FOR MOUNTING REMOTE SPEEDPOINT AND EXTERNAL ALERT DEVICE

ISO VIEW FOR REFERENCE ONLY

SHOWN WITH 6" DOWNPOST (12" DOWNPOST INCLUDED IN KIT)

UTILITY HOOK



19" FROM WALL MOUNT PLATE TO FRONT PIVOT AXIS

60°

5°

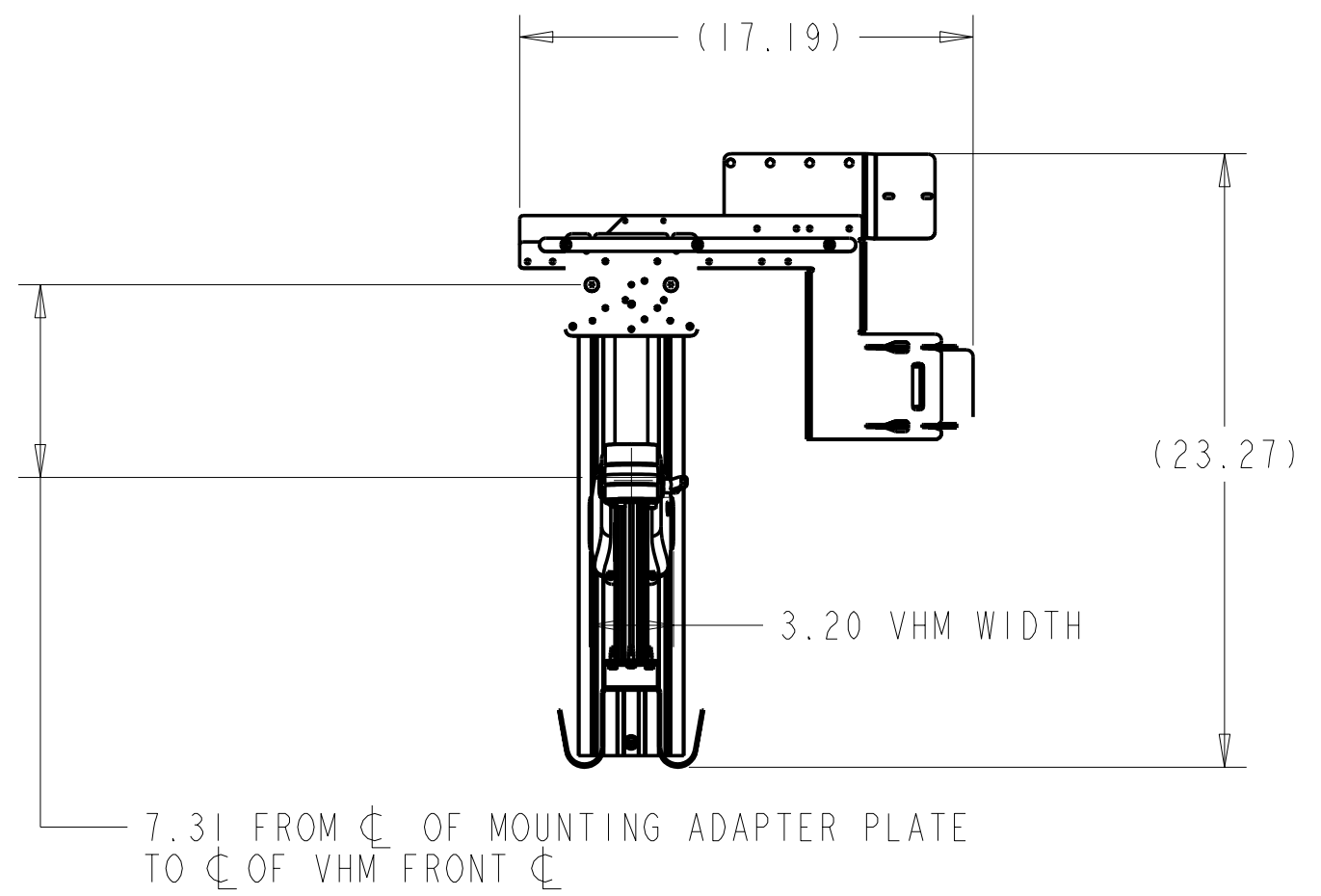
15°

2° ANGLE BUILT IN DESIGN

60°

17" VERTICAL RANGE OF MOTION

SIDE VIEW



(17.19)

(23.27)

3.20 VHM WIDTH

7.31 FROM ϕ OF MOUNTING ADAPTER PLATE TO ϕ OF VHM FRONT ϕ

FRONT VIEW

- Total Weight: 11.5 pounds
- VHM: 8 Pounds
- Downpost: .3 pounds
- Up-post: .35 pounds
- Utility Hook: .5 pounds
- Mounting Bracket: 2.4 pounds