

Installation Guide

10 x 25-40mm Horizontal Rail Clamp for M/VHM Series Arms

REFER TO QUALIFIED PERSONNEL FOR INSTALLATION

The purpose of this guide is to describe mounting of the Horizontal Rail Clamp on a 10 x 25-40mm rail.



WARNING: Horizontal Rail Weight Limit

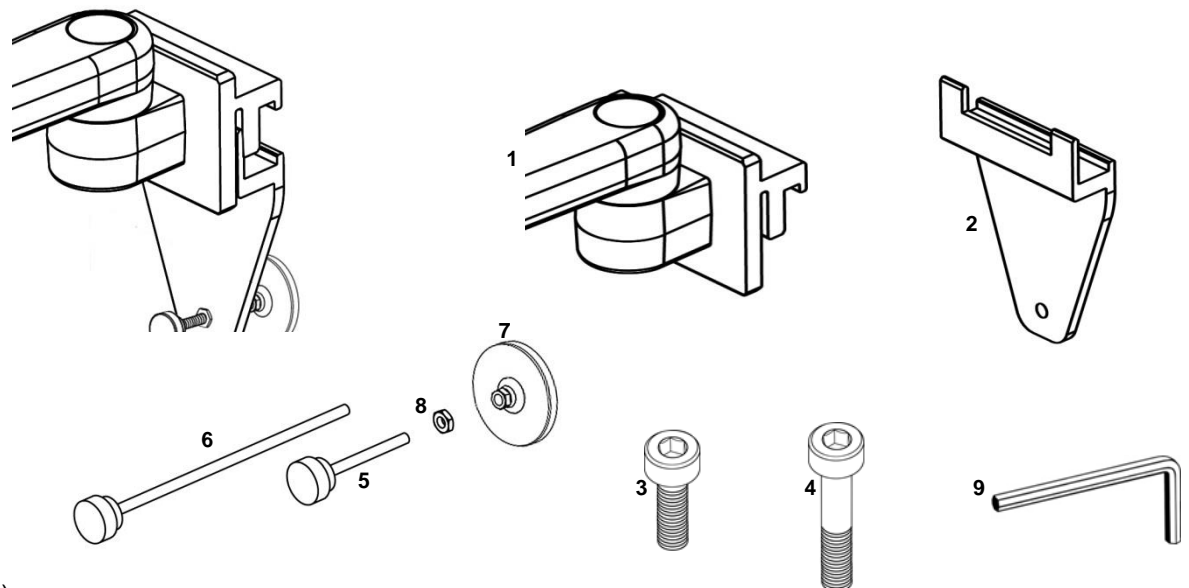
Check manufacturer's weight limit for the horizontal rail prior to installing Arm and related equipment. Failure to follow the manufacturer's weight limits and warnings may result in damage to equipment or injury to personnel.

Installation Note: The Horizontal Rail Clamp is part of an instrument mounting system. This installation guide covers mounting of the Rail Clamp only. Your actual mounting system may differ from the M Series Arm shown in this document.

The parts list below includes the parts and hardware that will be used in this installation procedure.

Item #	Description	Qty
1	M or VHM* Series Arm with Horizontal Rail Clamp (*M Series Arm shown in this document)	1
2	Retaining Clamp with Support Foot	1
3	M6 x 20mm Socket Head Cap Screw (SHCS) (10 x 25-30mm Rail)	2
4	M6 x 35mm SHCS (10 x 35-40mm Rail)	2
5	2.65" / 6.7cm Threaded Stud with Knob	1
6	7.5" / 19cm Threaded Stud with Knob	1
7	Support Foot	1
8	M8 Hex Jam Nut	1
9	M5 Hex Key	1

*See Installation Guide included with the Arm for additional parts and hardware plus operation instructions.



Tools Required

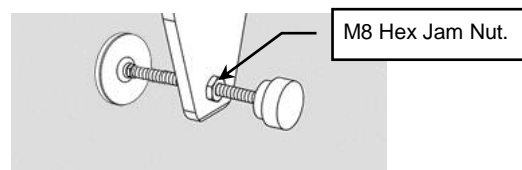
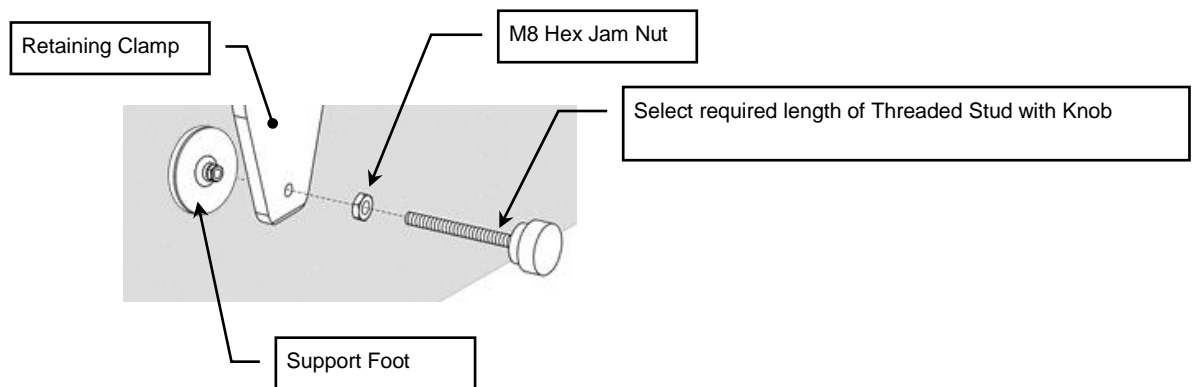
- M5 Hex Key (provided)
- 1/2" / 13mm Open-ended Wrench (not provided)

Select and Install Correct Threaded Stud with Knob/Support Foot



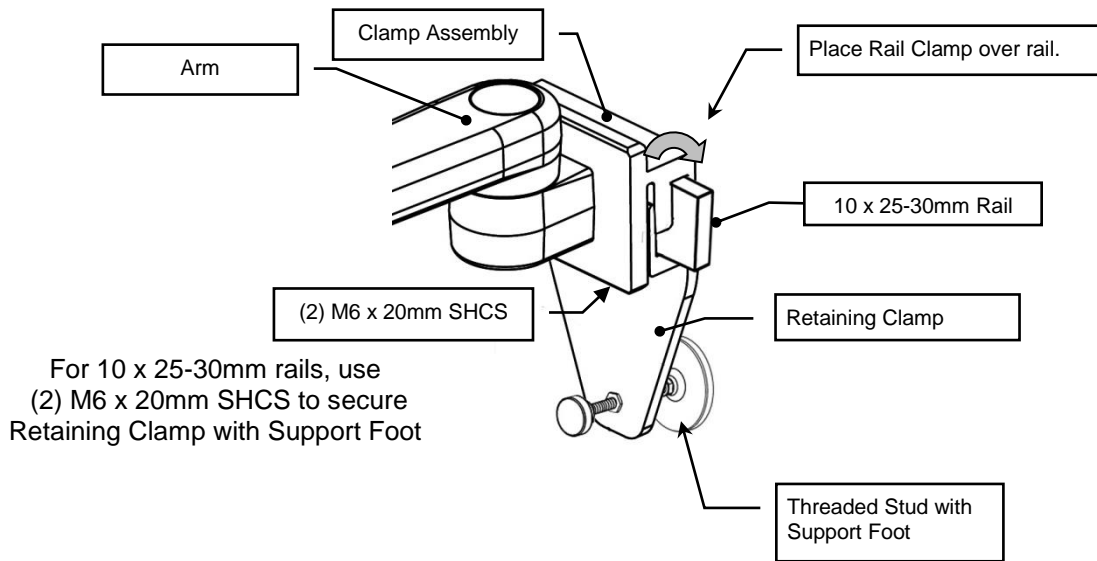
The Threaded Stud with Support Foot is used to help support and level the Arm and mounted load using a vertical surface behind the arm – this is required for safe configuration and use of the Arm. The vertical surface must be rated to handle the expected load.

1. The 2.65"/6.7cm Threaded Stud is pre-installed. The Support Foot will need to be attached before installation of the Arm onto the rail. If distance between Rail Clamp and adjacent vertical surface behind Clamp requires the longer 7.5"/19cm Threaded Stud, unscrew Support Foot from Threaded Stud and remove Threaded Stud from the Retaining Clamp. Remove the M8 Jam Nut and save for re-installation onto the longer Threaded Stud.
2. Select 7.5"/19cm Threaded Stud with Knob and install M8 Hex Jam Nut onto Threaded Stud – install M8 Hex Jam Nut far enough on to the Threaded Stud to allow the Threaded Stud to pass through the Retaining Clamp and reach the vertical surface. The M8 Hex Jam Nut will be used to secure the Threaded Stud/Support Foot after they are set as required to level and support the Arm.
3. After installing the Threaded Stud, install the Support Foot onto the end of the Threaded Stud.

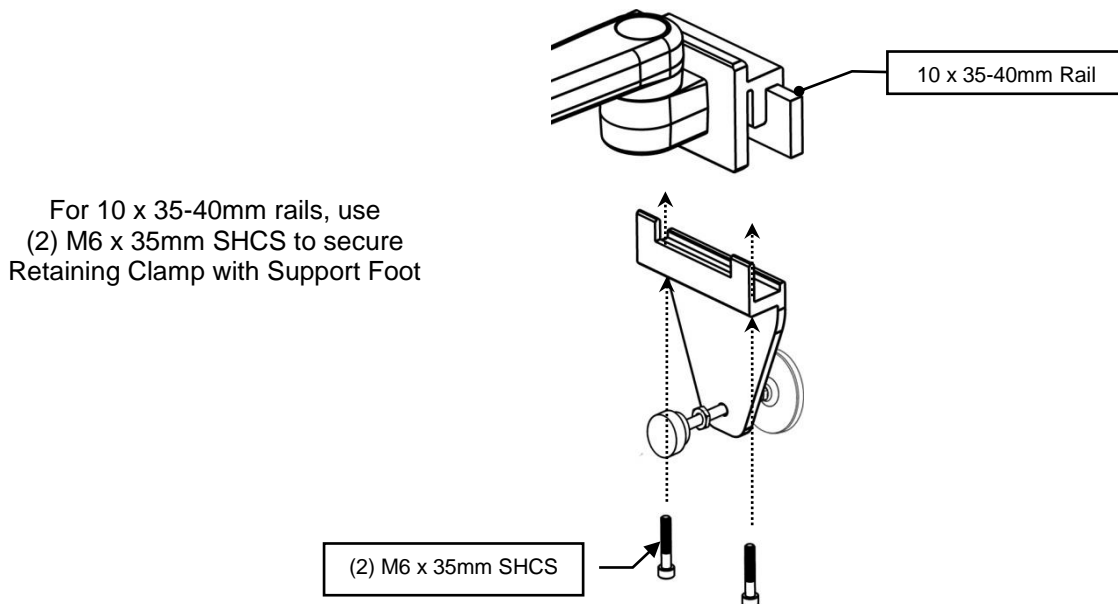


Mounting Arm/Rail Clamp on Horizontal Rail

1. Place the Clamp Assembly located at the backend of the Arm on the Horizontal Rail as shown below. The two (2) M6 x 20mm SHCS are pre-installed based on a rail 25-30mm in height. If necessary, loosen the screws to allow the Clamp Assembly to fit onto the rail.
2. Move arm to the desired location on rail. Using the M5 Hex Key, alternately tighten M6 screws until arm is secure. There may be resistance when installing the (2) screws due to the locking material on the threads. Make sure the screws are tight and the arm is secure on the rail.
3. Turn the Threaded Stud with Support Foot until the Support Foot makes contact with the vertical surface. Ensure there is full contact with the vertical surface and the arm is level (parallel with the floor below).
4. After the Threaded Stud is set, secure it in place by using a 1/2"/13mm wrench to tighten the M8 Hex Jam Nut against the Retaining Clamp



If the rail is 35 to 40mm in height, remove two (2) M6 x 20mm SHCS using the M5 Hex Key and replace with two (2) M6 x 35mm SHCS. Follow Steps 2, 3 and 4 above.



Periodic Maintenance

All fasteners associated with the mounting system should be inspected periodically and tightened or adjusted as necessary for optimal operation and safety.

Cleaning the Mounting Assembly

1. The mounting assembly may be cleaned with most mild, non-abrasive solutions commonly used in the hospital environment (e.g. diluted bleach, ammonia, or alcohol solutions).
2. The surface finish will be permanently damaged by strong chemicals and solvents such as acetone or trichloroethylene.
3. Steel wool or other abrasive material should never be used.
4. Damage caused by the use of unapproved substances or processes will not be warranted. We recommend testing of any cleaning solution on a small area of the arm that is not visible to verify compatibility.
5. Never submerge or allow liquids to enter the arm. Wipe any cleaning agents off the arm immediately using a water-dampened cloth. Dry mounting assembly thoroughly after cleaning.

CAUTION: GCX makes no claims regarding the efficacy of the listed chemicals or processes as a means for controlling infection. Consult your hospital's infection control officer or epidemiologist. To clean or sterilize mounted devices or accessory equipment, refer to the specific instructions delivered with those products.