

GCX Mounting Assembly Installation Guide

Philips MP20/30/40/50/60/70 Mounting Adapter Upgrade Kit – For Use with Table Top Mount

WARNING: INSTALLING THIS UPGRADE ON A MOUNT THAT IS NOT DUTY RATED FOR THE NEW INSTRUMENT(S) CAN RESULT IN A HAZARDOUS, UNSAFE MOUNTING CONFIGURATION. CONTACT GCX TECHNICAL SUPPORT (800.228.2555) TO VERIFY THAT THE RESULTING MOUNTING CONFIGURATION IS APPROPRIATE FOR THE NEW INSTRUMENT(S).

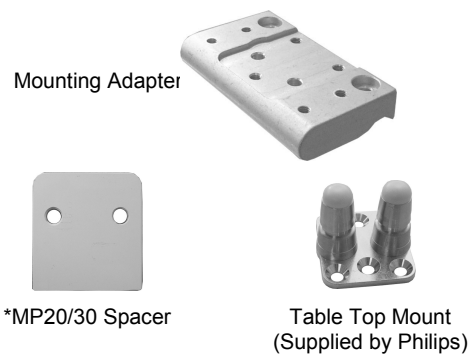
The purpose of this guide is to describe removal of existing mounting plate and installation of mounting adapter.

Parts Reference

The following parts and hardware are included for this installation procedure (see photos for parts; hardware not shown).

Item #	Description	Qty
1	Mounting Adapter	1
2	1/4-10 x 15/16" Torx Head Plastite Screw	2
3	M6 x 12mm Flat Head Machine Screw (FHMS)	1
4	M6 x 8mm FHMS	2
5	TX-30 Torx Bit	1
*6	Spacer, MP20/30	1
*7	M6 x 16mm Pan Head Machine Screw (PHMS)	2

**See "MP20/30 non-Table Top Mount" at bottom of page 3 for use of these parts.*



Tools Required: Phillips screwdriver, *TX-30 Torx bit (provided).

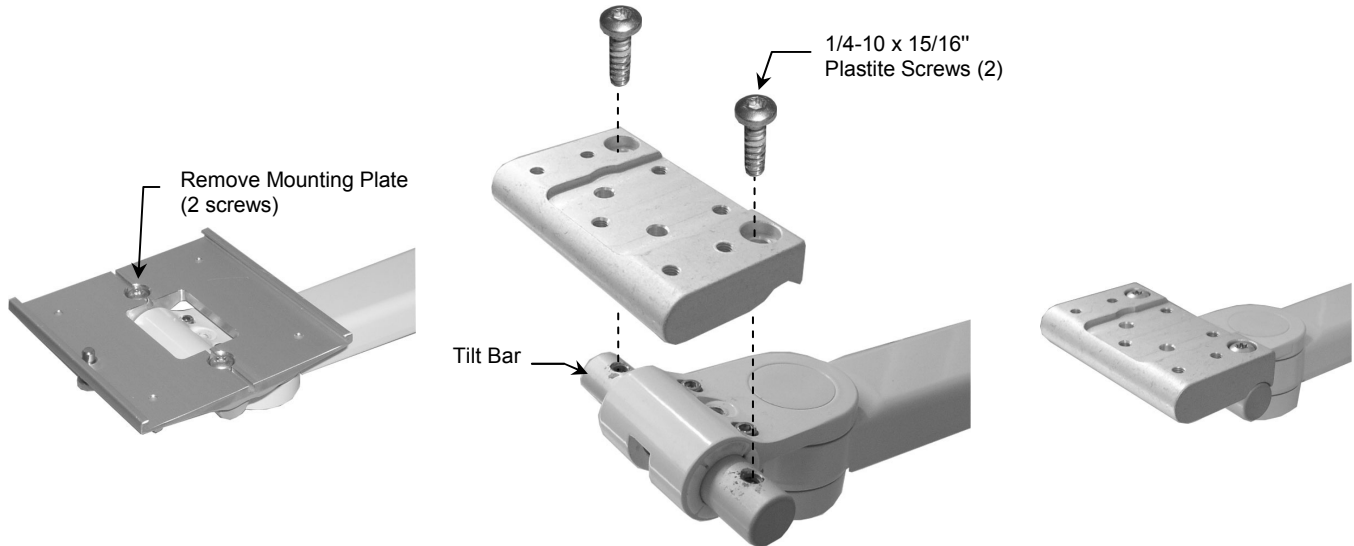
** Use TX-30 bit with power drill/driver for easier installation of Plastite screws.*

Installation Note: Mounting Plates that must be removed for the upgrade are found on a variety of Mounts (examples shown below). The installation procedure (beginning on page 2) shows the upgrade performed only on an M-Series Arm, though the upgrade procedure is the same for all mounts.



Installing the Mounting Adapter

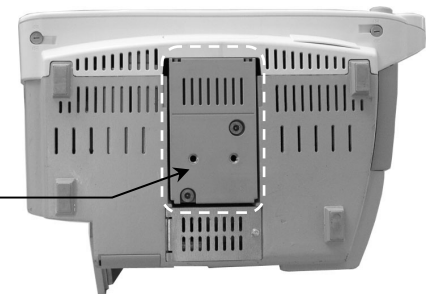
1. Using TX-30 Torx bit, unscrew existing Mounting Plate from Tilt Bar (below left). Discard screws.
2. Align Mounting Adapter with mounting holes in Tilt Bar. To prevent cross-threading of screws, finger-start two (2) 1/4-10 x 15/16" Plastite screws through Mounting Adapter and into Tilt Bar. Using TX-30 Torx bit, securely fasten Mounting Adapter to Tilt Bar. **Important:** Ensure Plastite screws are installed tightly. There must be no looseness between Mounting Adapter and Tilt Bar.



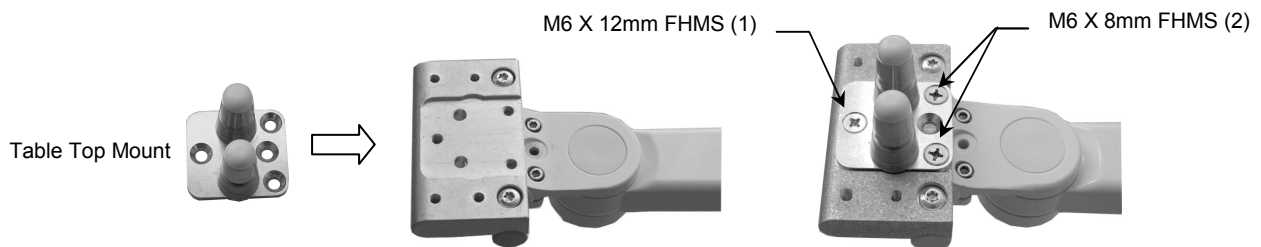
Attaching the Philips Table Top Mount to the Mounting Adapter

Installation Note: Do not attach the Table Top Mount to the Mounting Adapter if you will be mounting an MP20/30 monitor that has the mounting interface shown in photo (right). See "MP20/30 non-Table Top Mount" (page 3) for instructions specific to this type of mounting plate.

Do Not Attach Table Top Mount if MP20/30 Monitor Has This Mounting Interface



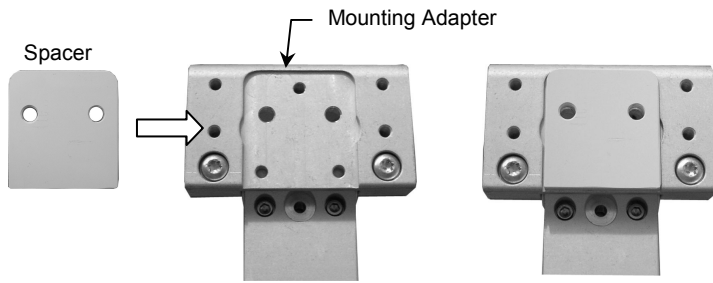
1. Fasten the Philips-supplied Table Top Mount to the Mounting Adapter on the M-Series Arm with one (1) M6 x 12mm FHMS and two (2) M6 x 8mm FHMS (see below).



2. Mount monitor in accordance with Philips Table Top Mount instructions.

MP20/30 non-Table Top Mount

1. Fit Spacer into recessed area on top of Mounting Adapter (below). Ensure Spacer remains between Mounting Adapter and monitor.



2. Insert two (2) M6 x 16mm PHMS through bottom of Mounting Adapter and thread into mounting holes in bottom of monitor (right).

