

Installation Guide

Suspension Mount Kit for Philips MP60/70 MX600/700/800

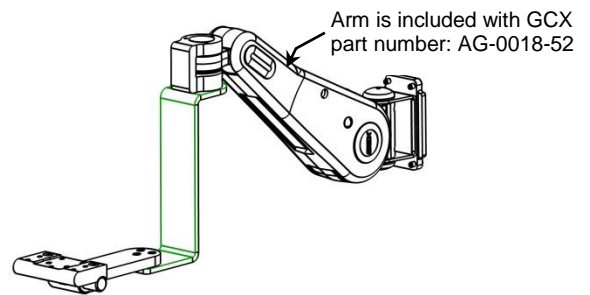
The purpose of this guide is to:

1. Describe installation, operation and adjustment of the Suspension Hardware.
2. Describe assembly and mounting of the Suspension Hardware if is being installed as a retrofit kit -- GCX part number AG-0018-53.

Parts Reference

Parts and hardware listed below will be installed in accordance with this installation guide.

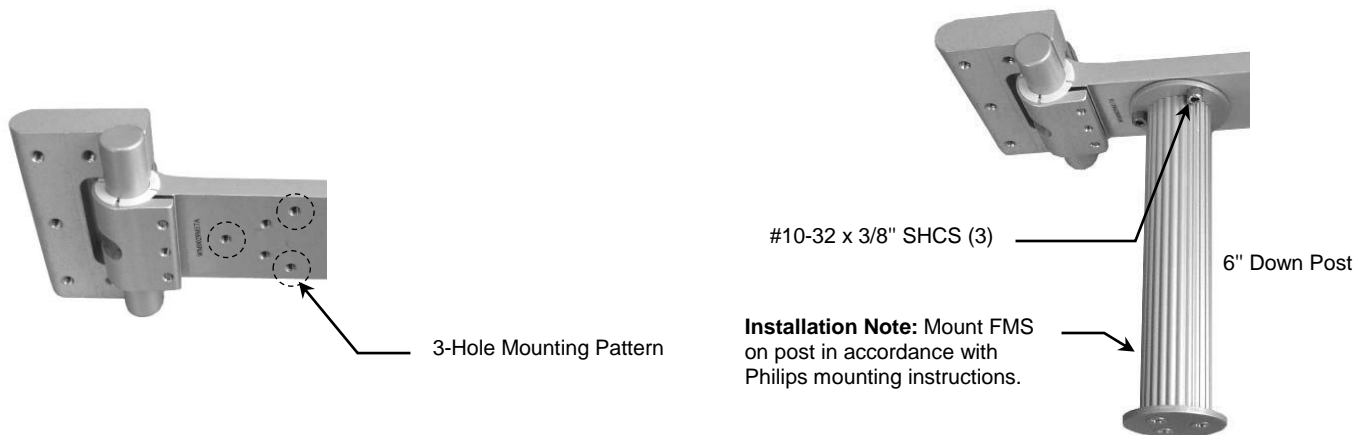
Description	Qty
Down Post, 6"	1
#10-32 x 3/8" SHCS	3
M6 x 8mm Flat Head Machine Screw (FHMS)	2
M6 x 12mm FHMS	1
10-32 x 1/2" FHSCS	3



Tools Required: Phillips screwdriver (not provided), 3/4" [19mm] socket wrench (not provided), 5/32" hex wrench (provided), 1/8" hex wrench (provided).

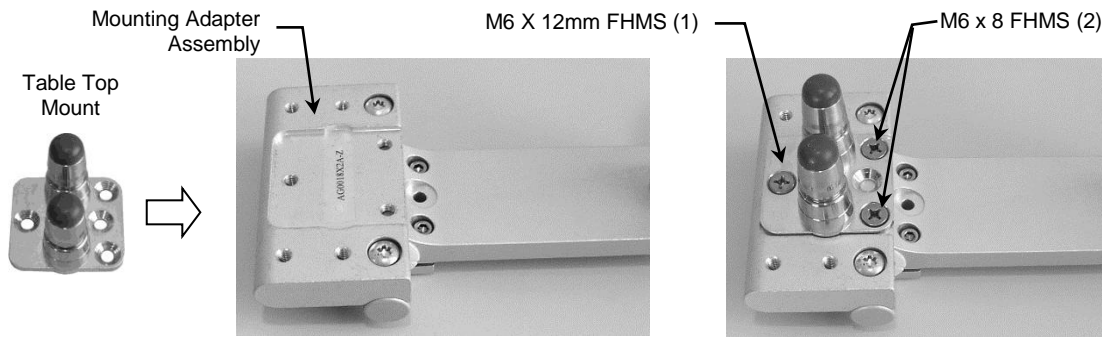
Attaching the 6" Down Post (for FMS) to the Mounting Adapter Assembly

1. Locate the 3-hole mounting pattern (below left). Using the 5/32" hex wrench provided fasten Down Post to bottom of Mounting Adapter Assembly with three (3) #10-32 x 3/8" SHCS (right).



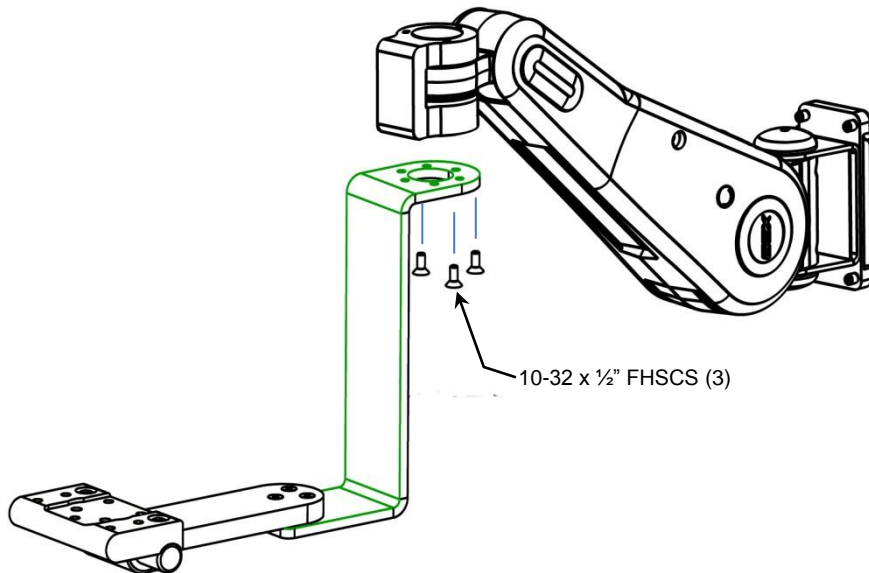
Attaching the Philips-Supplied Table Top Mount to the Mounting Adapter Assembly

1. Fasten Philips-supplied Table Top Mount to Mounting Adapter Assembly with one (1) M6 x 12mm FHMS and two (2) M6 x 8mm FHMS (see below).



Attaching Suspension Hardware to Arm

1. Fasten Suspension Hardware to the Arm with (3) 10-32 x 1/2" FHSCS using the supplied 1/8" hex wrench.



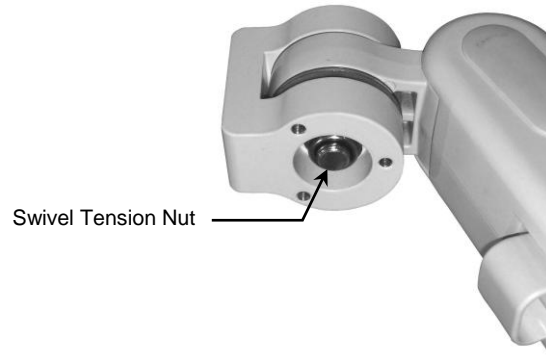
Mounting the Patient Monitor

1. Mount the monitor in accordance with Philips Table Top Mount instructions.
2. Check the pivot, tilt, and swivel functions for proper tension. Check up/down to ensure the arm is counterbalanced correctly. If adjustments are required, refer to document DU-WS-0001 "Installation & Operation Manual for VHM Series Arms".

Operation and Adjustment

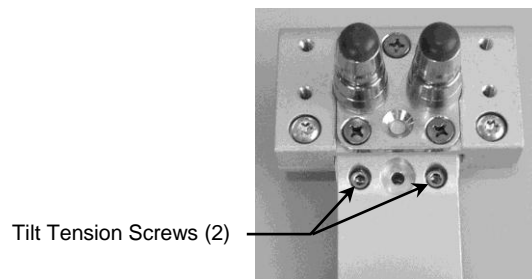
Swiveling the Mounted Instrument and Adjusting Swivel Tension

1. To swivel the mounted instrument simply push or pull the corners of the instrument.
2. To adjust swivel tension, tighten or loosen the Swivel Tension Nut using a 3/4" [19mm] socket wrench.



Adjusting Tilt and Tilt Tension

1. To tilt the instrument, grasp the top and bottom of the instrument and tilt it to the desired angle.
2. To adjust tilt tension, equally tighten or loosen the two (2) Tilt Tension screws with the 5/32" hex wrench provided.



Retrofit of the Suspension Hardware – GCX part number AG-0018-53

Tools Required: 3/4" [19mm] socket wrench.

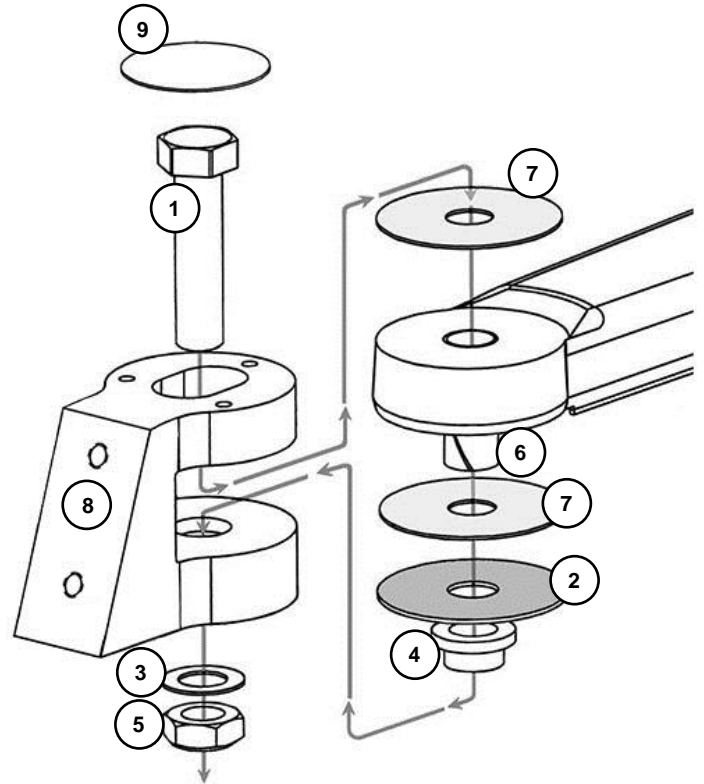
The following parts and hardware are included with the Retrofit Kit part number AG-0018-53. The Fixed Tilt Front End (#8) shown without mounting plate and screws for detail purposes.

Parts Reference (Front End Suspension Hardware)

T

Item #	Description	Qty
1	1/2"-20 x 2" Hex Head Cap Screw (HHCS)	1
2	2" Fender Washer	1
3	1/2" Flat Washer	1
4	1/2" Bronze Bushing	1
5	1/2"-20 Nylock Hex Nut	1
6	1/2" Nyliner Bushing	1
7	2" Nylon Washer	2
8	Suspension Front End *	1
9	Lexan Cover (white)	1

* **Suspension Front End shown may not match – installation parts and sequence are accurate.**

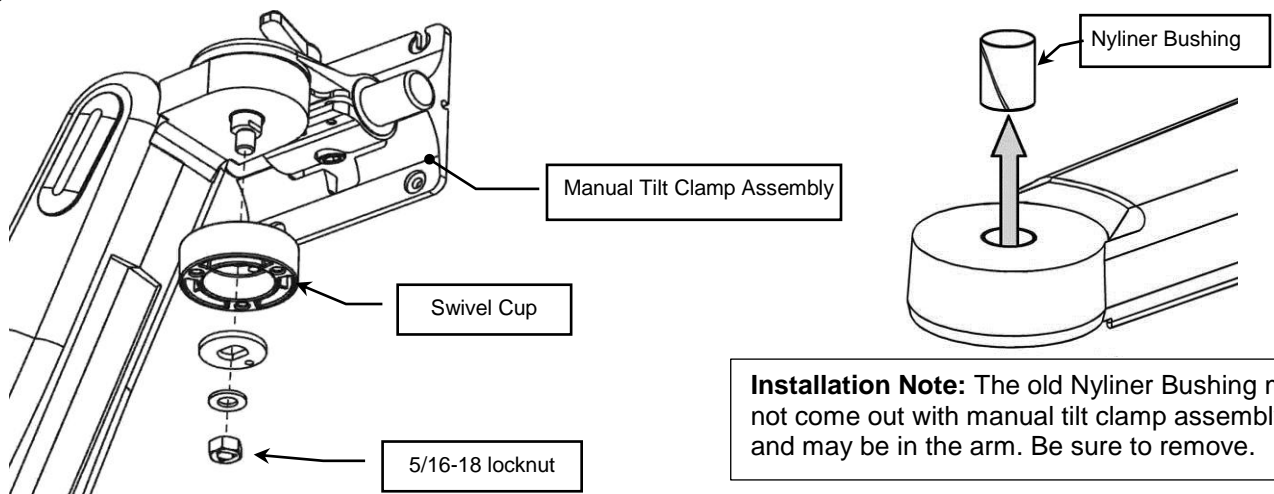


Upgrading the M-Series or VHM Arm

Installation Note: Remove all equipment from VHM or M-Series Arm per manufacturers instructions

Remove existing Arm Front End Hardware

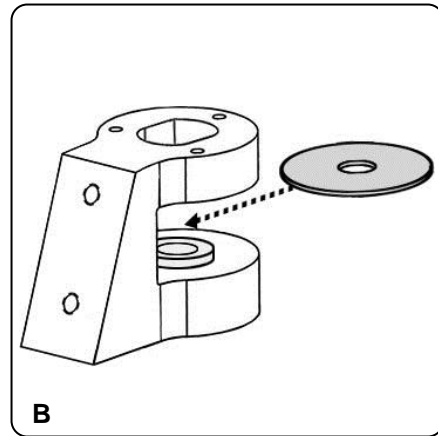
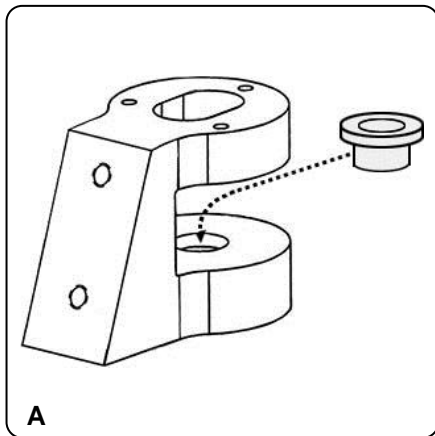
1. Loosen/remove 5/16-18 locknut from front of arm using a 1/2" [13mm] socket wrench. Remove all front end parts from arm including: lower swivel cup, washers, manual tilt clamp assembly, Nyliner bushing. Inspect front of arm for damage/wear -- clean as needed.



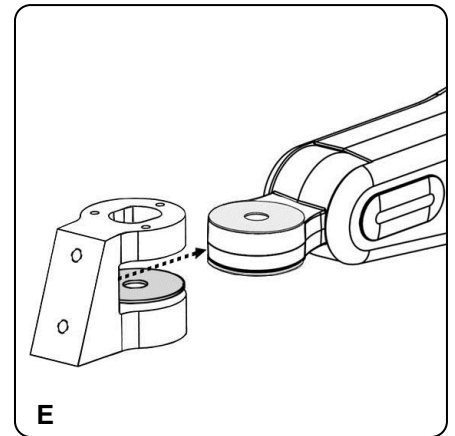
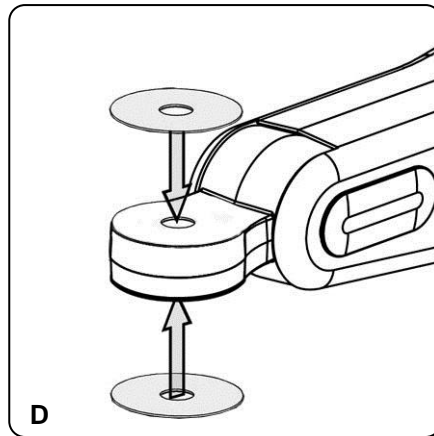
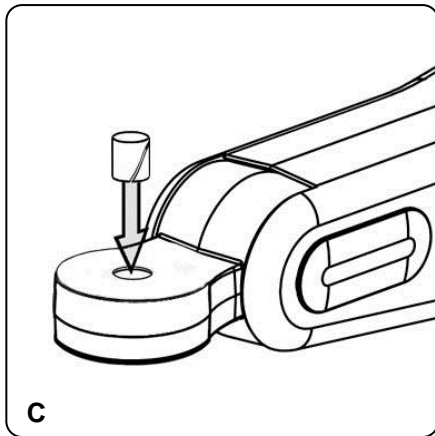
Installation Note: The old Nyliner Bushing may not come out with manual tilt clamp assembly and may be in the arm. Be sure to remove.

Installing Suspension Front End (*Suspension Front End shown may not match -- installation parts and sequence are accurate*)

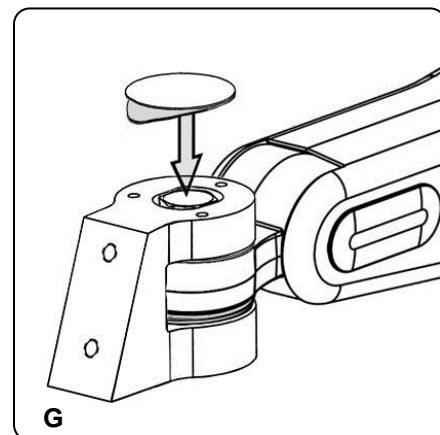
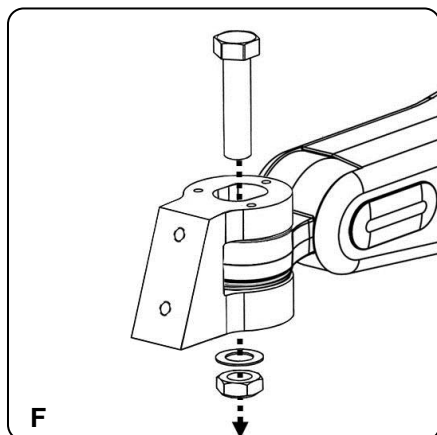
Install 1/2" Bronze Bushing into Fixed Tilt Front End (A) and position (1) 2" Fender Washer on top of Bronze Bushing (B).



Install 1/2" Nylon Bushing into front pivot hole on mounting arm (C). Position (1) 2" Nylon Washer on top of mounting arm, and (1) 2" Nylon Washer on the bottom of mounting arm (D). While holding the (2) Nylon Washers in place, guide the Fixed Tilt Front End onto mounting arm as shown (E).



Align all the center holes on parts, bearing and washers. Insert the 1/2" bolt from the top, through the center hole, capturing all the parts. When inserting the 1/2" bolt one has to also align the head of the bolt to fit the slot on the top of the fitting. Place 1/2" washer over end of bolt on Fixed Tilt Front End part bottom, then thread on the 1/2" locknut. Tighten the locknut using a 3/4" [19mm] socket wrench so the front end part rotates with some resistance (F). Apply white Lexan Cover (G).



Follow information on Pages 1 – 3 regarding further installation, operation and adjustments.

Cleaning the Mounting Assembly

1. The mounting assembly may be cleaned with most mild, non-abrasive solutions commonly used in the hospital environment (e.g. diluted bleach, ammonia, or alcohol solutions).
2. The surface finish will be permanently damaged by strong chemicals and solvents such as acetone and trichloroethylene.
3. Do not use steel wool or other abrasive material to clean the mounting assembly.
4. Damage caused by the use of unapproved substances or processes will not be covered by warranty. We recommended that you test any cleaning solution on a small area of the arm that is not visible to verify compatibility.
5. Do not submerge or allow liquids to enter the arm. Wipe any cleaning agents off of the arm immediately using a water-dampened cloth. Dry the arm thoroughly after cleaning.

CAUTION: GCX makes no claims regarding the efficacy of the listed chemicals or processes as a means for controlling infection. Consult your hospital's infection control officer or epidemiologist. To clean or sterilize mounted instruments or accessory equipment, refer to the specific instructions delivered with those products.