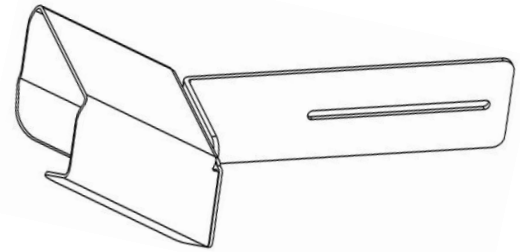


Installation Guide

Barcode scanner holster kit
for Flat Panel Display Handles (GCX p/n FLP-0008-12 and FLP-0008-32)

Part Reference

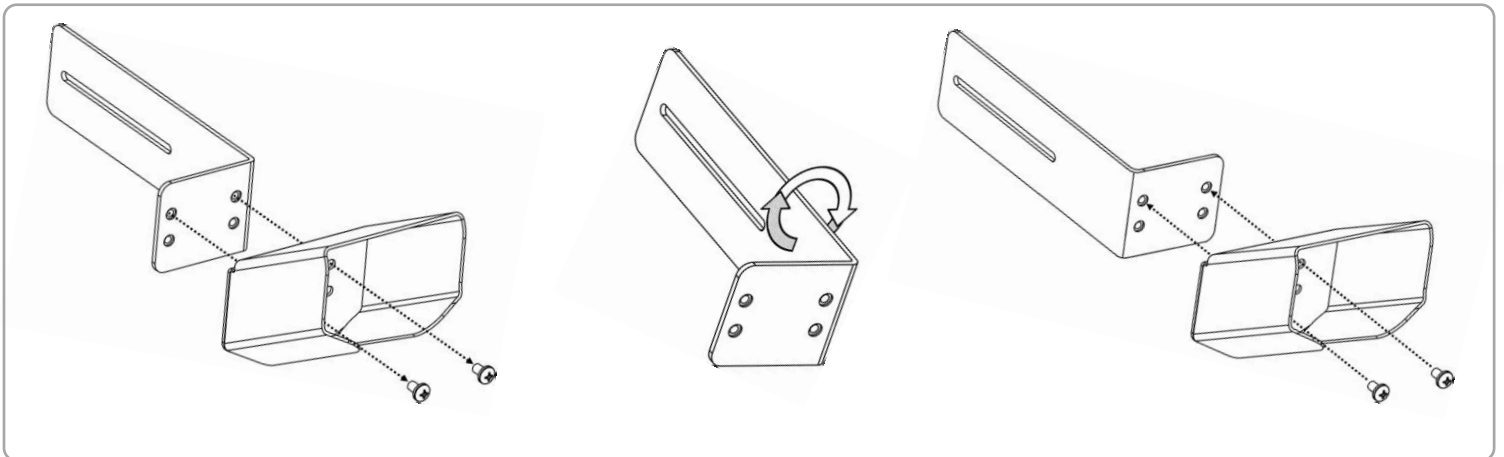
Item #	Description	Qty
1	Barcode Holster Assembly	1



Tools Required

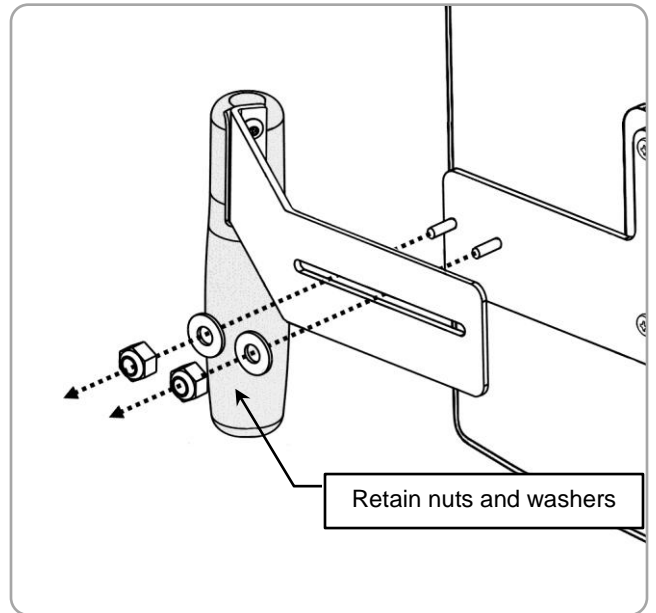
- Phillips screwdriver
- 3/8" (10mm) wrench or nut driver

Installation Note: This barcode scanner holster can be retrofitted to existing GCX flat panel display handles. It ships oriented for right side mounting, but the holster can be removed from its bracket, flipped over (on same bracket) for left side mounting.

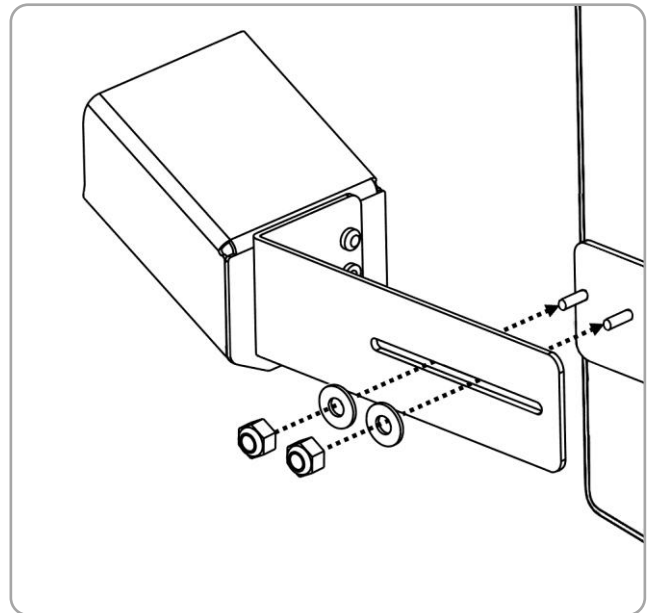


Installation

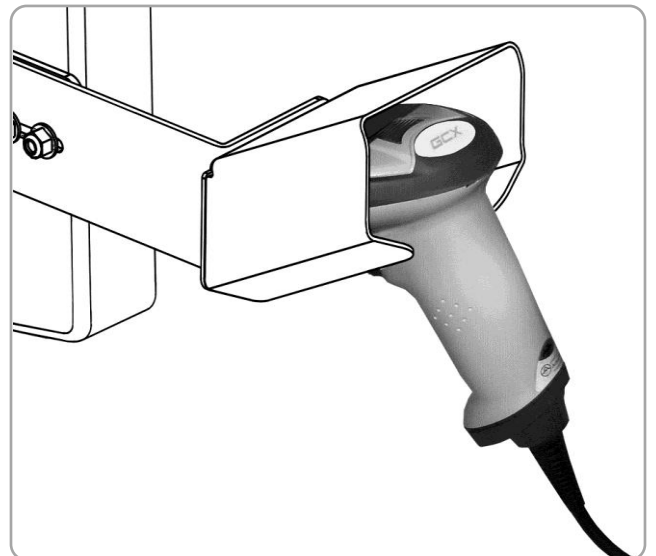
- 1 Remove the handle from the center plate located on the back of the display by loosening the (2) 10-32 nuts with a 3/8" (10mm) wrench. Keep the flat washers and nuts.



- 2 Install the holster onto the center plate studs using the 10-32 nuts and washers. Leave the nuts loose so holster can slide in/out. Adjust the spacing between the display and holster, and then tighten the 10-32 nuts to secure the holster.



- 3 Place barcode scanner into the holster, route cables as needed.



Routine Maintenance

Periodically inspect all fasteners associated with the mounting system. Tighten or adjust fasteners as necessary for optimal operation and safety.

Cleaning the Mounting Assembly

1. The mounting assembly may be cleaned with most mild, non-abrasive solutions commonly used in the hospital environment (e.g. diluted bleach, ammonia, or alcohol solutions).
2. The surface finish will be permanently damaged by strong chemicals and solvents such as acetone or trichloroethylene.
3. Do not use Steel wool or other abrasive material.
4. Damage caused by the use of unapproved substances or processes will not be warranted. It is recommended that you test any cleaning solution on a small area of the arm that is not visible to verify compatibility.
5. Never submerge or allow liquids to enter the mounting assembly. Wipe any cleaning agents off of the arm immediately, using water dampened cloth. Dry the assembly thoroughly after cleaning.

CAUTION: GCX makes no claims regarding the efficacy of the listed chemicals or processes as a means for controlling infection. Consult your hospital's infection control officer or epidemiologist. To clean or sterilize mounted devices or accessory equipment, refer to the specific instructions delivered with those products before installing the arm in the Channel.