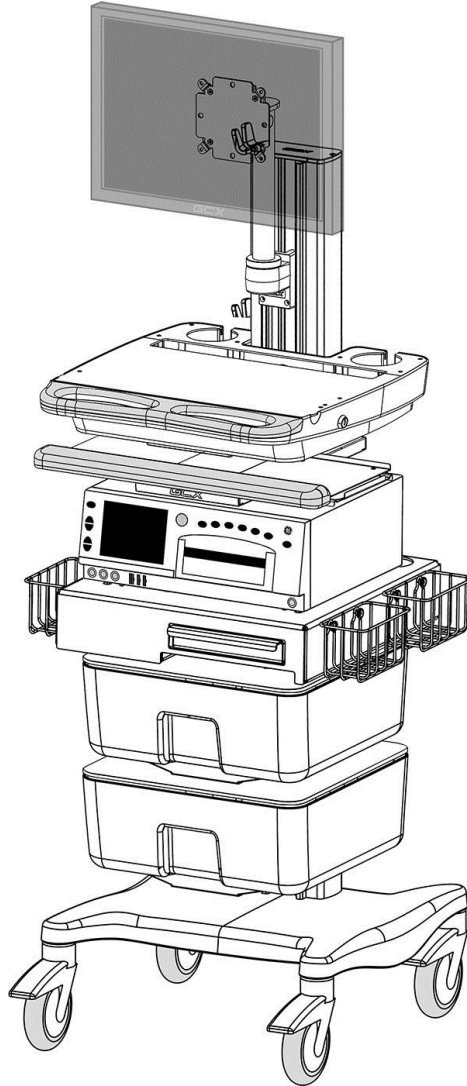


### Installation Guide

#### Fixed Height Roll Cart for Corometrics/GE 250 Series Fetal Monitor with Laptop and Display Mounts



#### Table of Contents

Installation and Maintenance Warnings .....	Page 2
Corometrics/GE 250 Series Roll Cart (CO-0025-63) Overview .....	Page 3
Cable Management .....	Page 4
Installing the Corometrics/GE 250 Series .....	Page 5
Routine Maintenance .....	Page 6
Cleaning the Mounting Assembly .....	Page 6



## Installation and Maintenance Warnings

This section contains warnings regarding the installation and maintenance of the Corometrics/GE 250 Series Roll Cart. This section must be read in its entirety before installing and maintaining the Roll Cart. Failure to follow these warnings may result in damage to equipment or injury to personnel.

- Roll Cart configurations specified by GCX Corp. have been tip tested to verify stability of complete cart. Configurations differing from approved GCX specifications should be tip tested to ensure safe operation and prevent stability/tip hazards. Contact GCX for further information.
- Please consider carefully the mounted equipment and proximity of cart to other equipment, hospital personnel and the patient.
- When moving the Roll Cart fold any extended mounts with equipment inward to prevent collisions with other equipment, walls, doorways, hospital personnel and the patient.
- Periodically inspect Roll Cart components and fasteners for looseness. Tighten as required for optimal operation and safety.



## Weight Limits

Maximum weight on the column including mounts: 146 lbs / 66.2 kg

Maximum weight for the rear of the column not including mounts: 30 lbs / 13.6 kg

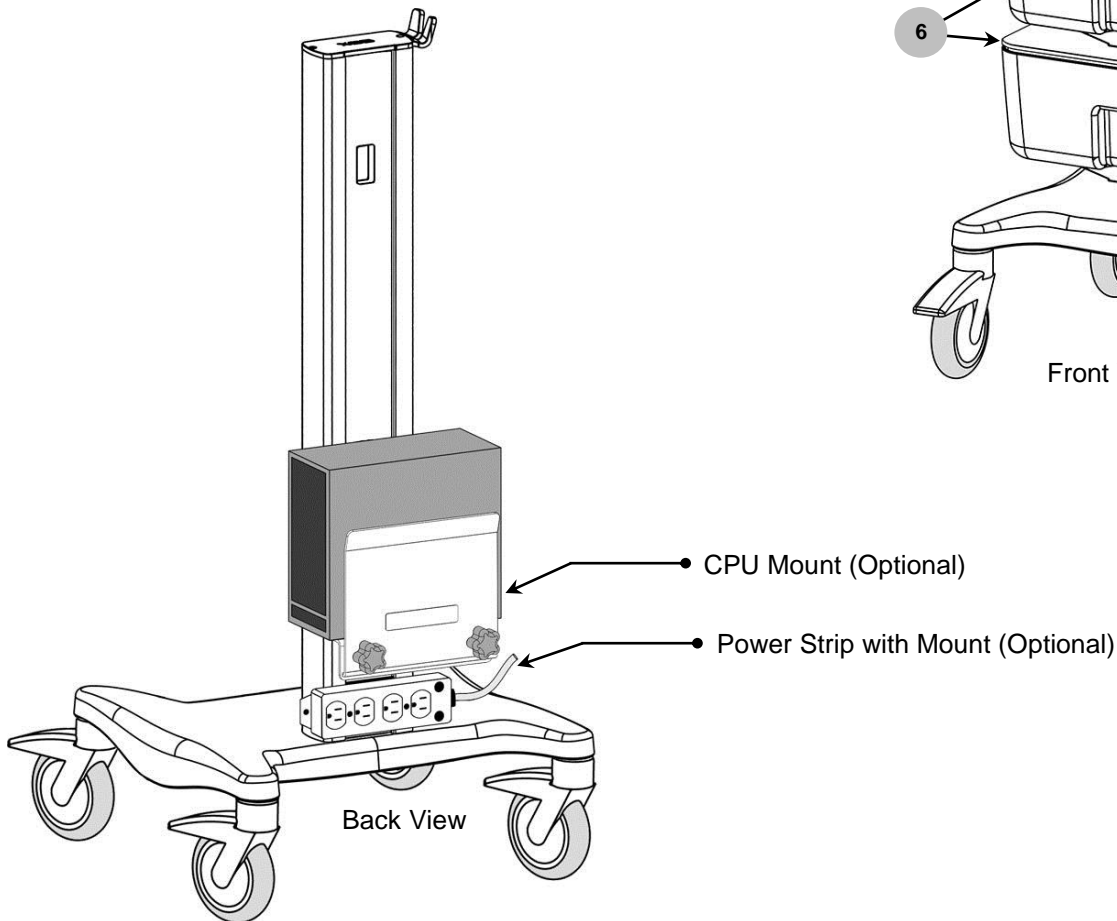
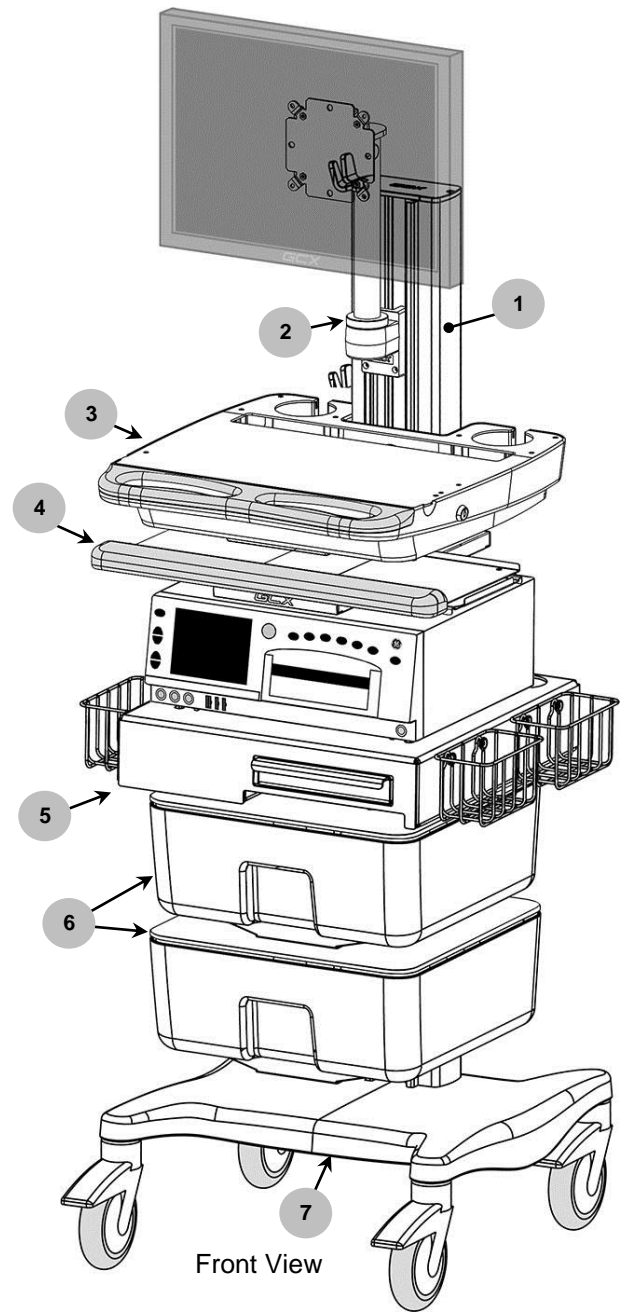
Maximum weight for single display not including mount: 15 lbs / 6.8 kg

**Cable Management Installation Note:** It is recommended to install monitor and display cables prior to mounting equipment. In some cases, it may be necessary to reposition or remove a mount to route equipment cables. See page 4 for Cable Management features.

**Installation Note:** This Corometrics/GE 250 Series Roll Cart includes individual kits with separate installation guides. For additional adjustment and maintenance information, see page 3 (Corometrics/GE 250 Series Fetal Monitor Roll Cart Overview) for a list of Installation Guides included with this kit.

## Corometrics/GE 250 Series Fetal Monitor Roll Cart (CO-0025-63) Overview

1. **Fixed Height Roll Cart (FHRC) cart assembly**  
Installation Guide (DU-RST-0008-01).
2. **M-Series Flush Mount w/9" Riser for Flat Panel Display**  
Installation Guide (DU-FLP-0008-42).
3. **Laptop Storage Module with Lock**  
Installation Guide (DU-RST-0007-30).
4. **Slide-out Keyboard Assembly**  
Installation Guide (DU-RST-0007-34).
5. **GE 250 Mounting Tray and Drawer**  
Installation Guide (DU-CO-0025-80).
6. **Storage Drawer Module**  
Installation Guide (DU-RST-0007-75).
7. **25lb Counterweight Kit**  
Installation Guide (DU-RST-0007-22).



## Cable Management

There are multiple cable management features. The following pictures show the cable management features associated with this cart. The actual cable routing will be determined by the equipment mounted.

**1. Cable Hook**

Designed to hold power cord plug end or bundled cables during transport.

**2. Channel Cover / Cable Guide**

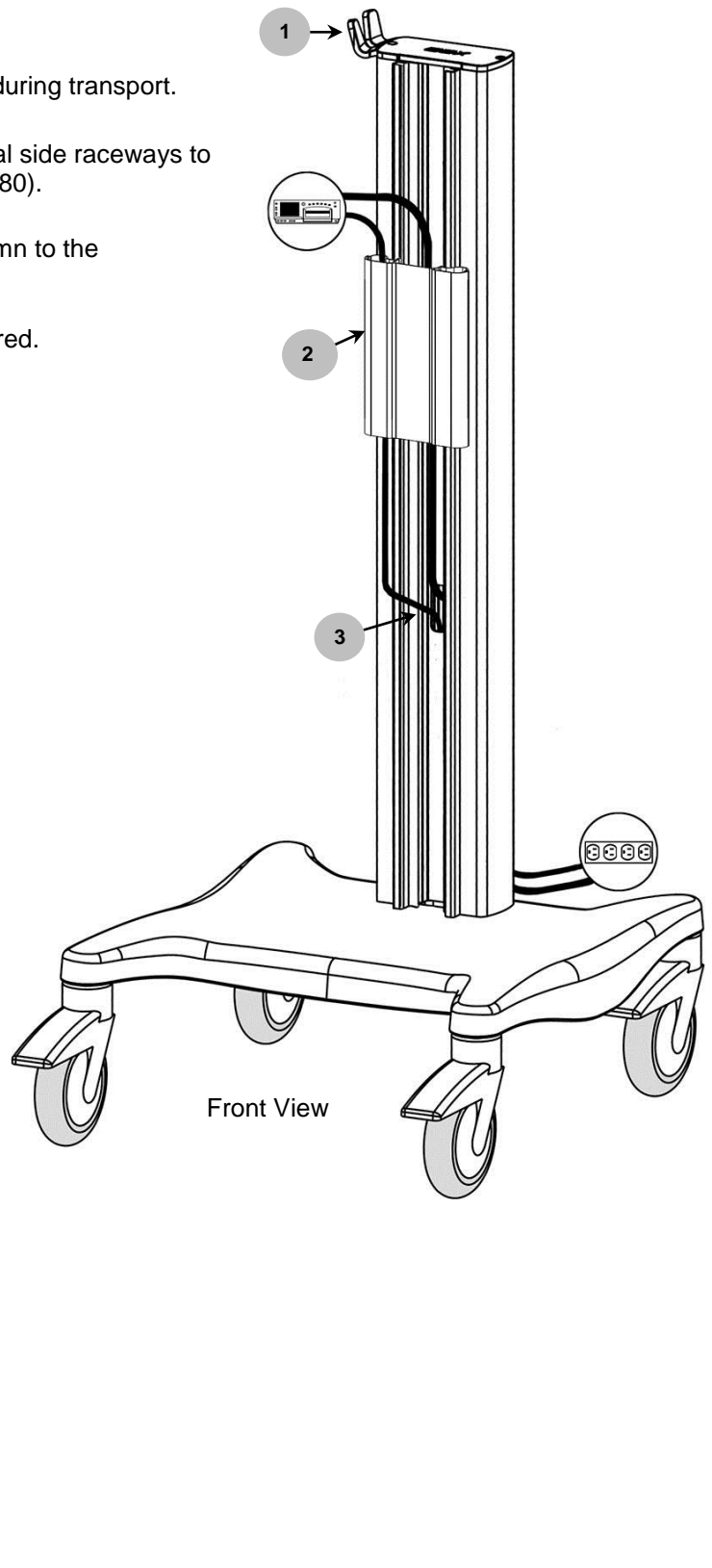
Allows cables routed in the channel to be covered and dual side raceways to keep cables organized. Installation Guide (DU-RST-0007-80).

**3. Column Through Holes**

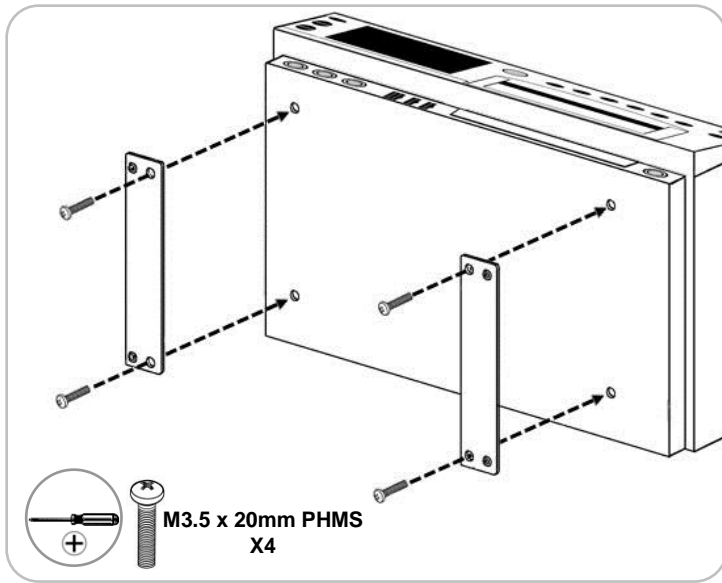
Permits direct cable routing from the front side of the column to the back without exposing cables.

**4. Cable Cover**

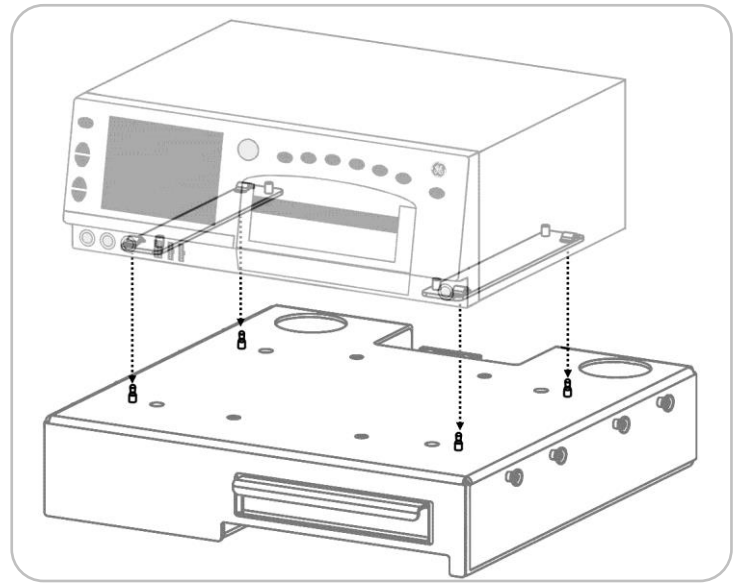
Allows cables routed in the back of the column to be covered.



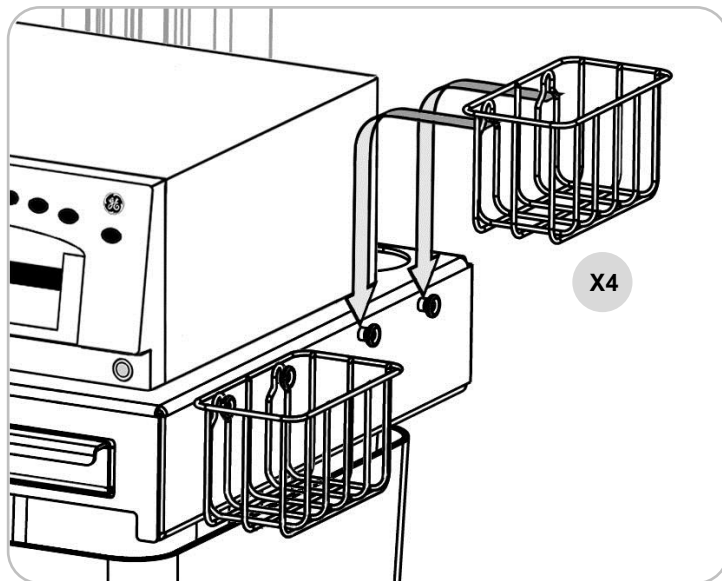
## Installing the Corometrics/GE 250



1. Secure the (2) adapter rails with (2) M3.5 x 20mm PHMS per rail. The locating hole on each rail must be positioned outward.



2. Lower the GE Corometrics/250 onto the tray aligning (4) locating pins on the tray with the (4) corresponding locating holes on the mounting rails.



3. Install the (4) utility baskets by sliding them over the mounting buttons and pressing down.

## **Routine Maintenance**

Periodically inspect all fasteners associated with the mounting system. Tighten as necessary for optimal operation and safety.

## **Cleaning the Mounting Assembly**

1. The mounting assembly may be cleaned with most mild, non-abrasive solutions commonly used in the hospital environment (e.g. diluted bleach, ammonia, or alcohol solutions).
2. The surface finish will be permanently damaged by strong chemicals and solvents such as acetone and trichloroethylene.
3. Do not use steel wool or other abrasive material to clean the mounting assembly.
4. Damage caused by the use of unapproved substances or processes will not be covered by warranty. We recommend that you test any cleaning solution on a small area of the mounting assembly that is not visible to verify compatibility.
5. Never submerge the Roll Cart or allow liquids to enter the mounting assemblies. Wipe any cleaning agents off the mounting assembly immediately using a water-dampened cloth. Dry all mounting assemblies thoroughly after cleaning.

**CAUTION:** GCX makes no claims regarding the efficacy of the listed chemicals or processes as a means for controlling infection. Consult your hospital's infection control officer or epidemiologist. To clean or sterilize mounted instruments or accessory equipment, refer to the specific instructions delivered with those products.