

Installation Guide

Counter Top Mount for 75/100 mm VESA-compatible Display 9" (FLP-0001-40), 12" (FLP-0001-36), 16" (FLP-0001-39)

The purpose of this guide is to:

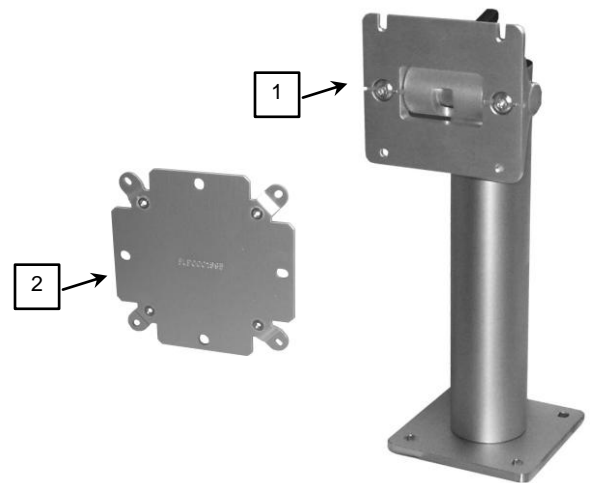
Describe attachment of Counter Top Mount to Counter Top.



Parts Reference

The parts list below includes parts and hardware that will be used in this installation procedure (hardware not shown).

Item #	Description	Qty
1	Counter Top Mount	1
2	VESA Mounting Adapter with hardware and instructions	1
3	10-32 x 1/2" Socket Set Screw (SSS)	1
4	Lexan Post Cover	1
5	1/4-20 x 3/4" Carriage Bolt	4
6	1/4-20 x 1 3/4" Carriage Bolt	4
7	1 1/4" Fender Washer	4
8	1/4-20 Kep Nut	4
9	5/32" Hex Wrench	1



Tools Required

- Phillips screwdriver (not provided)
- 5/32" Hex Wrench (provided)
- 3/32" Hex Wrench (not provided)
- Power Drill (not provided)
- 9/32" or 7mm Drill Bit (not provided)
- 7/16" Wrench (not provided)

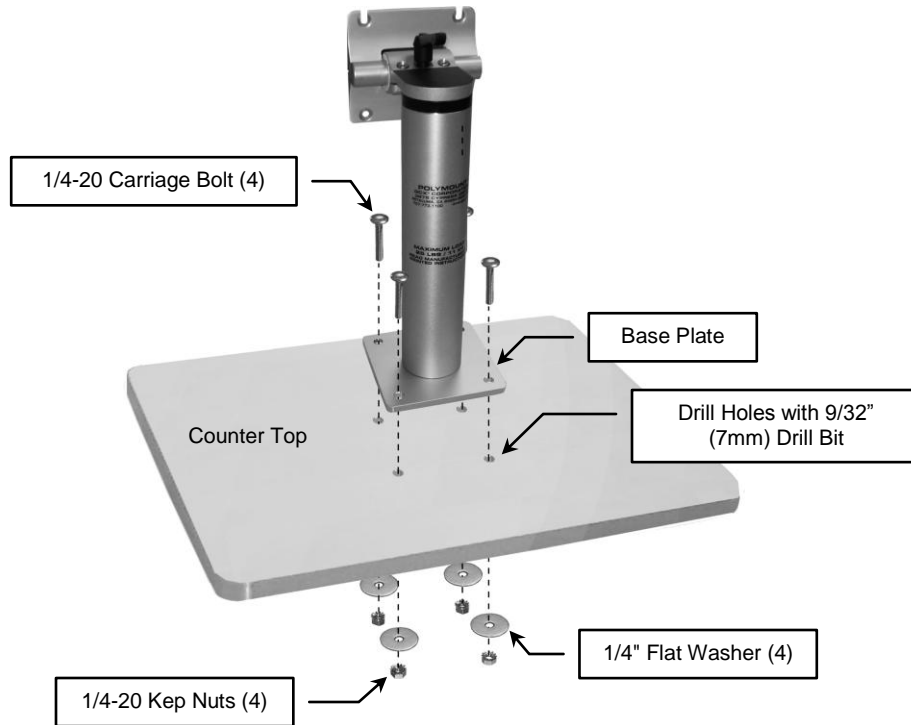


WARNING: This mounting kit provides an assortment of M4 hardware for a wide variety of display-mounting applications. It is the responsibility of the installer of this product to ensure that all screws used to mount the display have a minimum thread engagement of four (4) 360° turns into threaded inserts in rear of display. It is also the responsibility of the installer to ensure that screws are not inserted too far into the display, causing damage to internal components. Failure to adhere to this warning could result in damage to equipment or injury to patients or personnel.

This Display Mount will accommodate flat panel displays up to 25 lbs. [11.3 kg]. It is the responsibility of the installer to determine whether the counter top surface will support the weight of the Mount and the mounted display. Do not exceed the load limit specified on the Counter Top Mount.

Attaching Counter Top Mount to Work Surface

1. Using the Base Plate as a template, drill four (4) holes in the Counter Top with a 9/32".
2. Using a 7/16" Wrench, attach Counter Top Mount using (4) 1/4-20 carriage bolts, (4) 1/4" flat washers, and (4) 1/4-20 Kep Nuts. Carriage Bolts must be inserted through the top of the Base Plate as shown below.



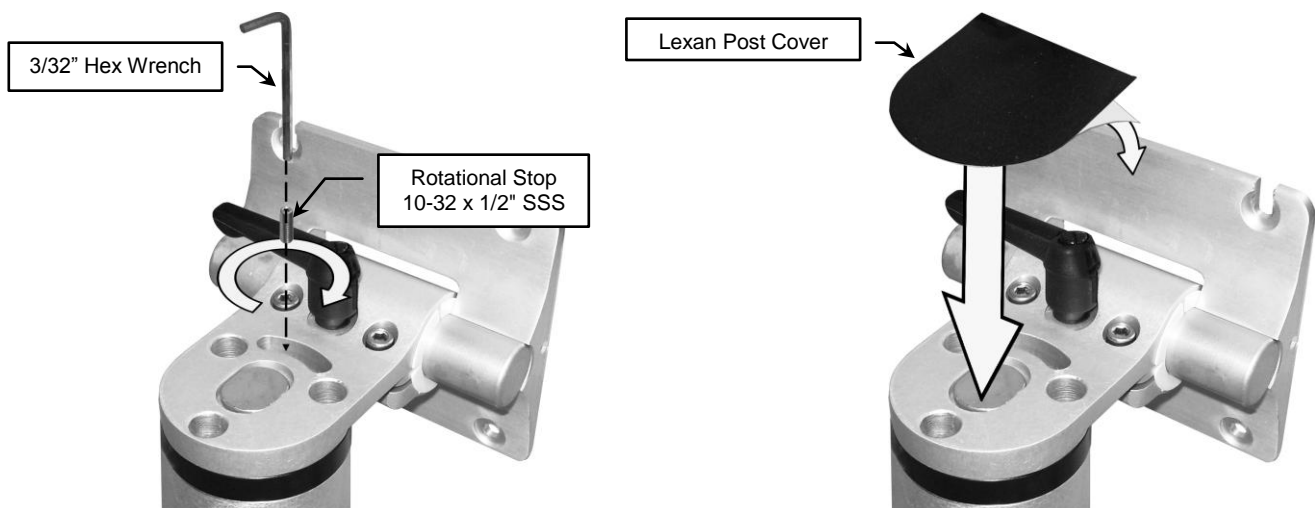
Mounting Flat Panel Display to Counter Top Mount

Mount the display in accordance with separate installation guide titled: *Mounting Kit for 75 / 100mm VESA® Compatible Flat Panel Displays (DU-FLP-0002-17)* included in this kit.

Installing Rotational Stop (optional) and Lexan Post Cover

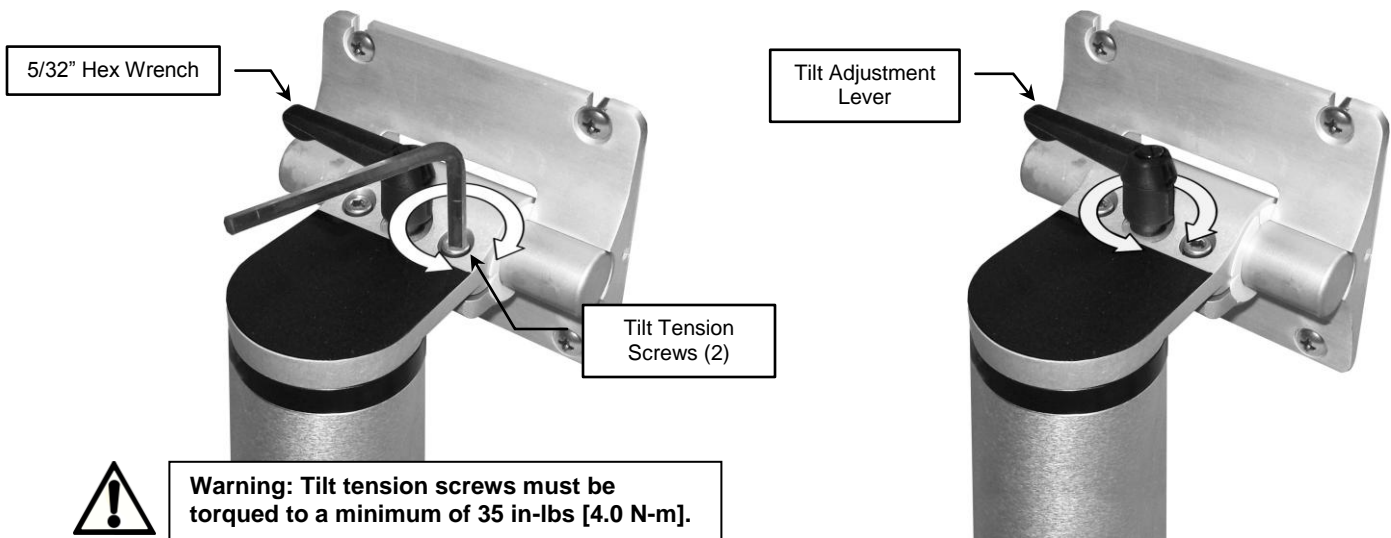
Installation Note: A Rotational Stop (10-32 x 1/2" SSS) is provided and can be installed to limit the overall rotation of the display to +/- 20°.

1. Using a 3/32" Hex Wrench, install (1) 10-32 x 1/2" SSS into the Counter Top Mount as shown (below left).
2. Remove backing from the Lexan Post Cover and press firmly onto top of Counter Top Mount (below right).



Tilt Adjustment

Adjust tilt tension by equally tightening or loosening the (2) Tilt Tension screws with a 5/32" hex wrench (below left). Once overall tilt tension is set, use Tilt Adjustment Lever to fine tune/lock tilt position (below right).



Routine Maintenance

Periodically check all mounting hardware. Tighten as necessary for optimal operation and safety.

Cleaning the Mounting Assembly

1. The mounting assembly may be cleaned with most mild, non-abrasive solutions commonly used in the hospital environment (e.g. diluted bleach, ammonia, or alcohol solutions).
2. The surface finish will be permanently damaged by strong chemicals and solvents such as acetone and trichloroethylene.
3. Do not use steel wool or other abrasive material to clean the mounting assembly.
4. Damage caused by the use of unapproved substances or processes will not be covered by warranty. We recommend testing any cleaning solution on a small area of the mounting assembly that is not visible to verify compatibility.
5. Never submerge or allow liquids to enter the mounting assemblies. Wipe any cleaning agents off the mounting assembly immediately using a water-dampened cloth. Dry all mounting assemblies thoroughly after cleaning.

CAUTION: GCX makes no claims regarding the efficacy of the listed chemicals or processes as a means for controlling infection. Consult your hospital's infection control officer or epidemiologist. To clean or sterilize mounted instruments or accessory equipment, refer to the specific instructions delivered with those products.