

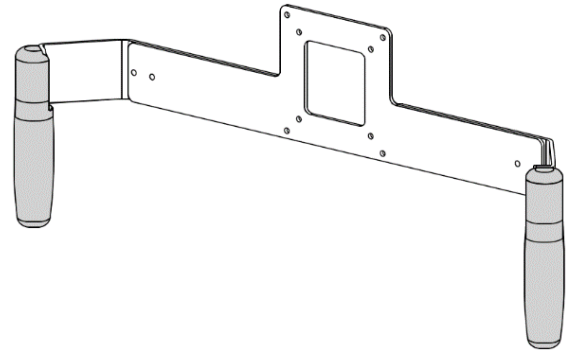
**Installation Guide**

Handle for Flat Panel Displays 12" (30 cm) to 25" (63 cm) wide

**Installation note:** The handle is designed to mount directly to the rear of a flat panel display with either a 75mm x 75mm or 100mm x 100mm VESA mounting pattern. If the VESA mounting pattern is recessed on the rear of the display, nylon spacers from the GCX arm hardware kit can be used in addition to the M4 screws included with handle to properly mount it to the display. The handle is adjustable to fit typical flat panel displays with overall widths (not diagonal measurement) from 12" (30 cm) to 25" (63 cm).

**Parts Reference**

Item #	Description	Qty
1	Handle Assembly	1
2	M4 x 14mm Pan Head Machine Screw (PHMS)	4
3	M4 x 20mm PHMS	4

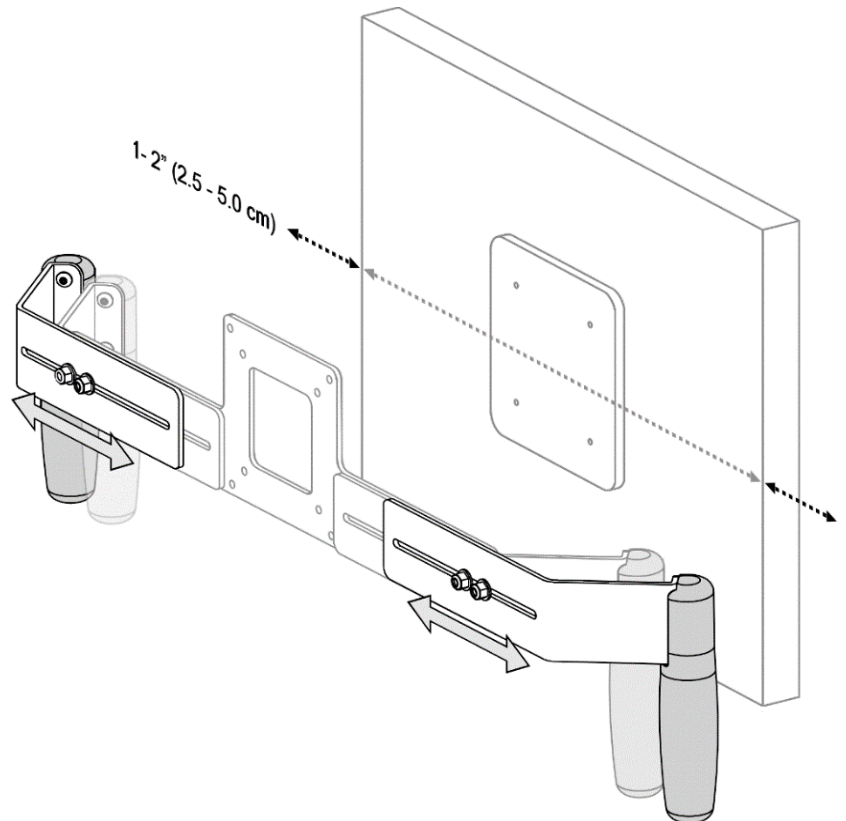
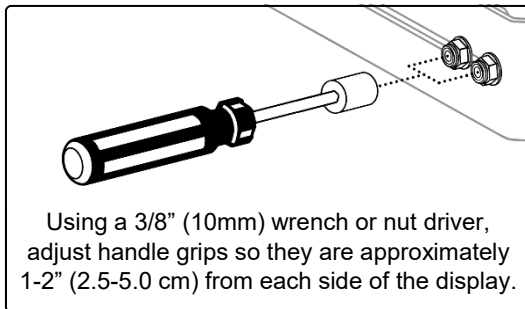


**Tools Required**

Phillips screwdriver, 3/8" (10mm) wrench or nut driver

**Adjust width of handle**

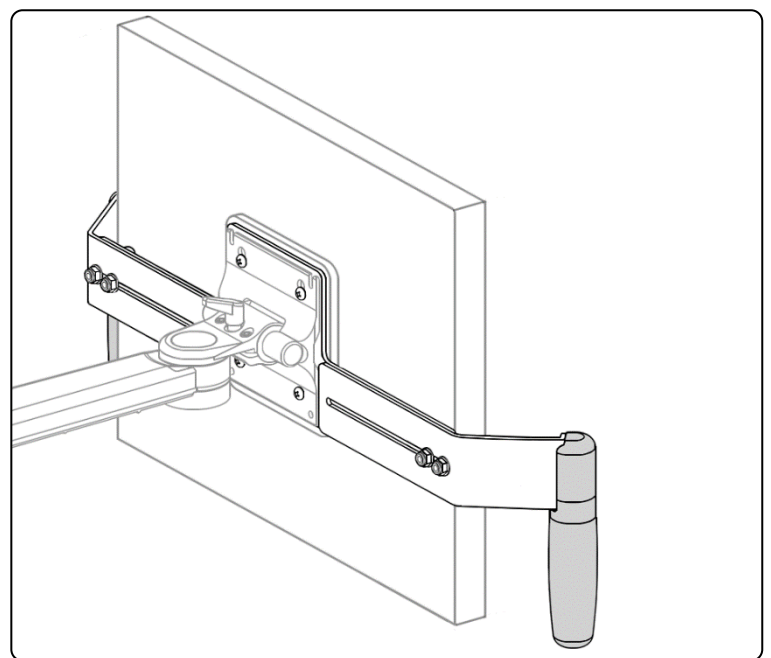
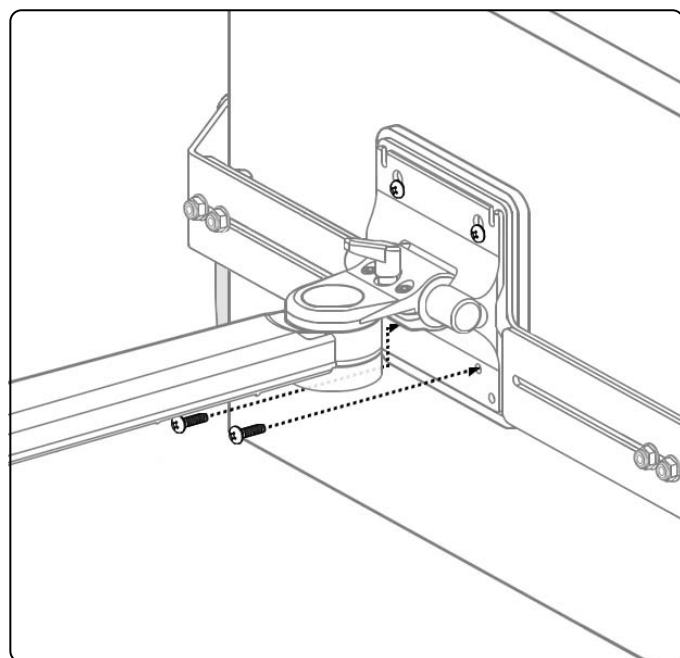
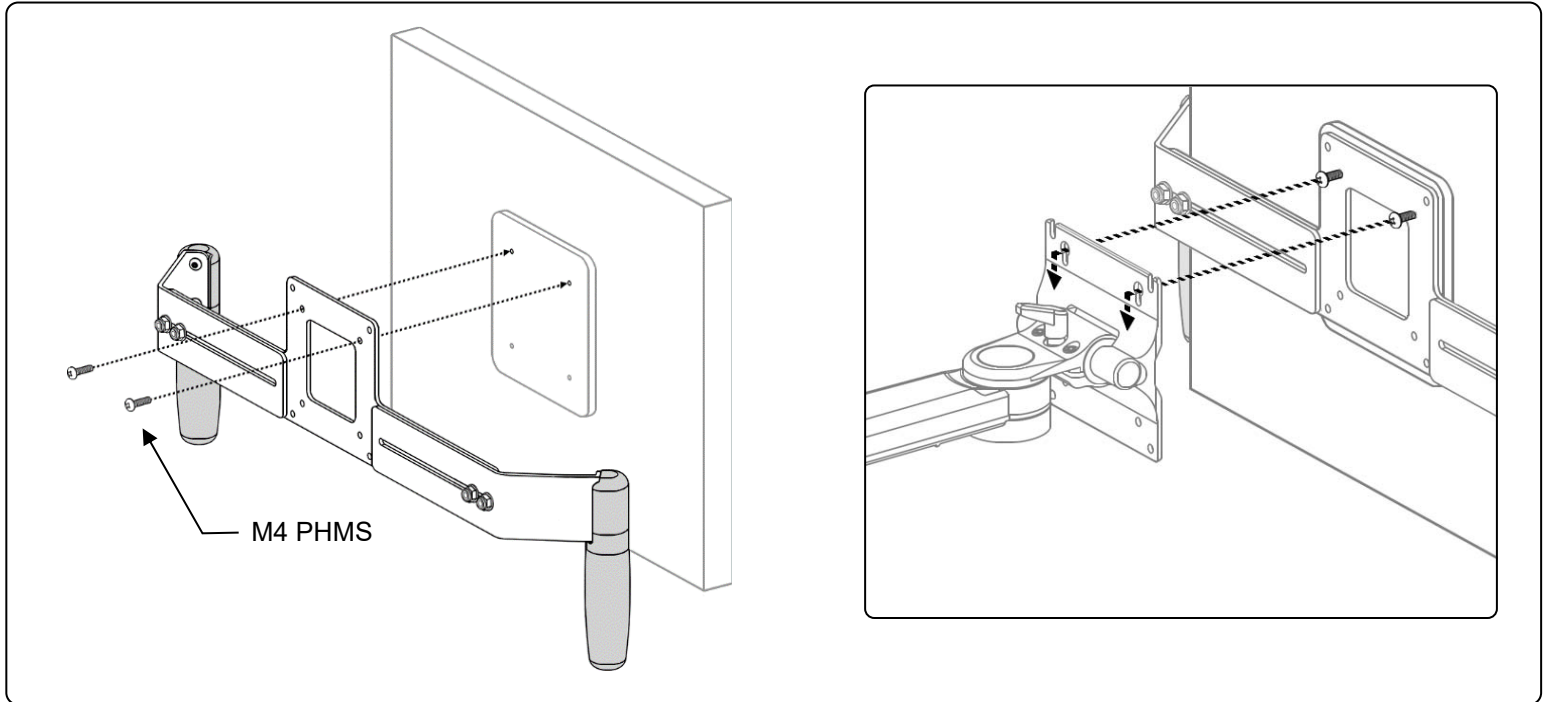
1. Slightly loosen the four (4) locknuts on the rear of the handle using the 3/8" (10mm) wrench, which will allow the handle grips to slide in/out.
2. Align the handle with the back of the display so the VESA pattern is centered. Adjust the handle grips so they are approximately 1-2" (2.5-5.0 cm) from each side of the display, then tighten the four (4) locknuts to secure the grips.



### Install handle to flush or raised VESA patterns (applies to 75 x 75mm and 100 x 100mm)

1. Install the upper two M4 x 14mm PHMS through the handle plate and into the VESA pattern on display, leave the screws extending out beyond handle plate.
2. Using the two installed screws, align them with the slots on the GCX VESA plate (on arm) and hang the display (with handle) on the VESA plate.
3. Install the two lower M4 x 14mm PHMS through the GCX VESA plate, handle and into the VESA pattern on display.
4. Tighten all four M4 x 14mm PHMS.

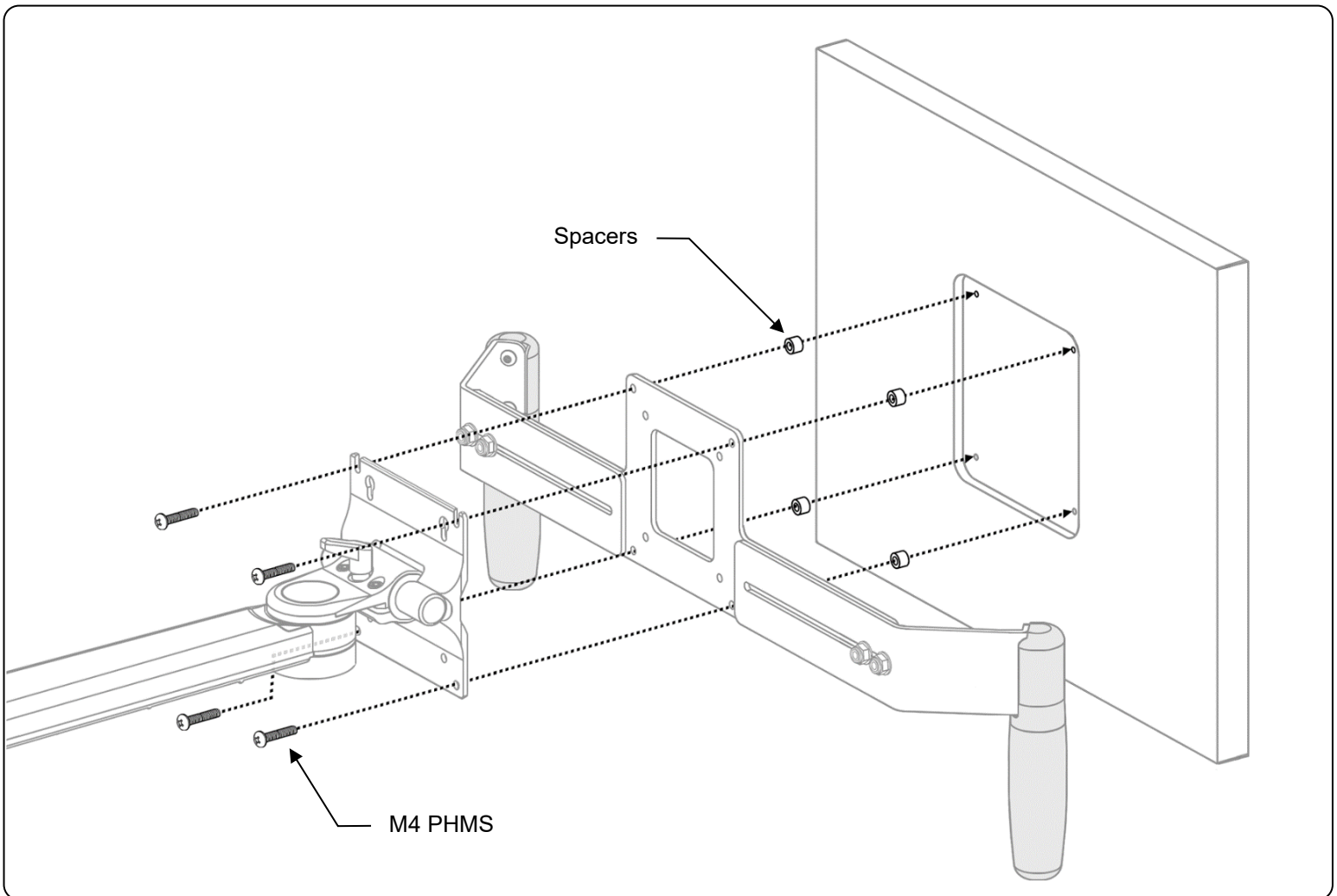
**Note:** If the M4 x 14mm length PHMS do not provide the appropriate thread engagement for your application you can use M4 PHMS from the arm assembly.



### Install handle to recessed VESA patterns (applies to 75 x 75mm and 100 x 100mm)

1. Using the four nylon spacers from your GCX arm hardware kit, align the upper two spacers between VESA pattern on display and handle plate, within the recess.
2. Install the upper two M4 x 20mm PHMS through the handle plate, spacers and into the VESA pattern on display, leave the screws extending out beyond handle plate.
3. Using the two installed screws, align them with the slots on the GCX VESA plate (on arm) and hang the display (with handle) on the VESA plate.
4. Install the two lower M4 x 20mm PHMS through the GCX VESA plate, handle, spacers and into the VESA pattern on display.
5. Tighten all four M4 x 20mm PHMS.

**Note:** If the M4 x 20mm length PHMS do not provide the appropriate thread engagement for your application you can use M4 PHMS from the arm assembly.





### Chemical Compatibility



Water  
 Mild Soap Solutions  
 Hydrogen Peroxide Solution, 3%  
 Iodine Solutions  
 Bleach Solutions, 10%  
 Isopropyl Alcohol Solutions, 70%, 91%  
 QUAT Disinfectants

Cavicide®  
 Cidex OPA®  
 Cidex Plus®  
 Formula 409®  
 Kleenaseptic®  
 Lysol® Disinfectant  
 Sagrotan®

Sani-Cloth® HB  
 Sporidicin®  
 Surfanios  
 Vesphene®  
 Virex® II 256  
 Windex®



Acetone  
 Trichloroethylene  
 Steel wool or other abrasive material  
 Ethanol 100%  
 Oxivir® TB

### Routine Maintenance

Periodically inspect all fasteners associated with the mounting system. Tighten or adjust fasteners as necessary for optimal operation and safety.

### Cleaning the Mounting Assembly

1. The mounting assembly may be cleaned with most mild, non-abrasive solutions commonly used in the hospital environment (e.g. diluted bleach, ammonia, or alcohol solutions).
2. The surface finish will be permanently damaged by strong chemicals and solvents such as acetone or trichloroethylene.
3. Do not use Steel wool or other abrasive material.
4. Damage caused by the use of unapproved substances or processes will not be warranted. It is recommended that you test any cleaning solution on a small area of the mounting assembly that is not visible to verify compatibility.
5. Never submerge or allow liquids to enter the mounting assembly. Wipe any cleaning agents off of the assembly immediately, using water dampened cloth. Dry the assembly thoroughly after cleaning.

**CAUTION:** GCX makes no claims regarding the efficacy of the listed chemicals or processes as a means for controlling infection. Consult your hospital's infection control officer or epidemiologist. To clean or sterilize mounted devices or accessory equipment, refer to the specific instructions delivered with those products.