

## GCX Mounting Assembly Installation Guide

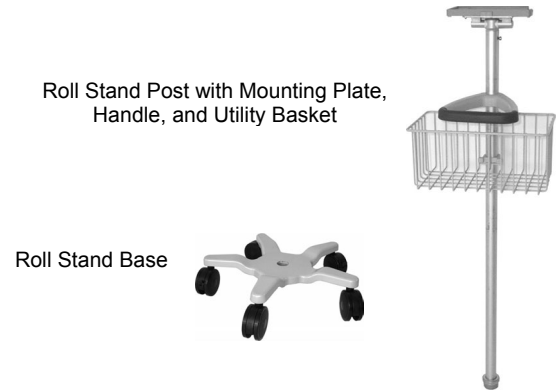
### Philips M2/M3/M4 Light Duty Roll Stand Kit

The purpose of this guide is to describe assembly of the roll stand and mounting of the instrument.

#### Parts Reference

The following parts and hardware are included with this installation kit (see photo for parts, hardware not shown):

Item #	Description	Qty
1	Roll Stand Post with Mount, Handle, and Basket	1
2	Roll Stand Base	1
3	5/16-18 x 1" Hex Head Cap Screw (HHSC)	1
4	5/16 Flat Washer	1
5	5/16 Lock Washer	1
6	5/32" [4 mm] Ball-End Hex Key	1

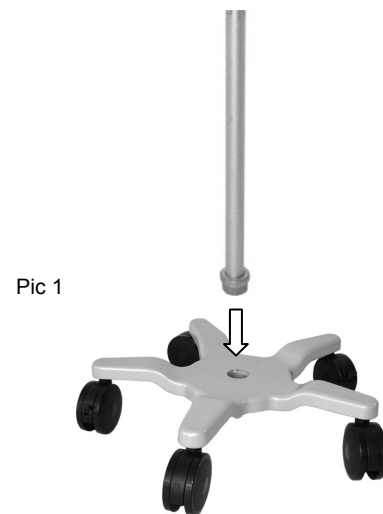


**CAUTION: Refer Task To Qualified Personnel**

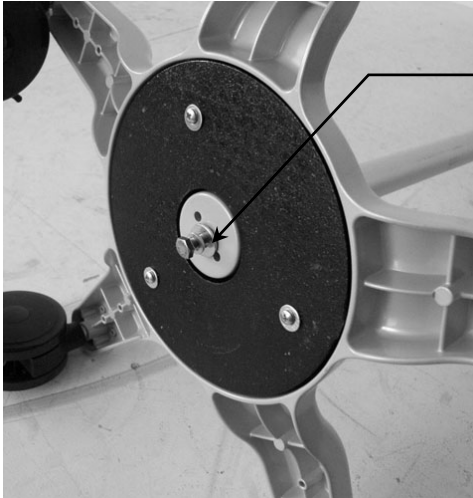
**Tools Required for This Task:** 1/2" [13 mm] nut driver or wrench, Philips screwdriver, 5/32" [4 mm] hex key (provided).

#### Assembly of the Roll Stand

1. Insert the Roll Stand Post in the center of the Roll Stand Base (Pic 1). Carefully lay the assembly on its side for access to the bottom of the Base.



2. Using a 1/2" [13 mm] nut driver or wrench, secure Post to Base with the supplied 5/16-18 x 1" HHCS, Lock Washer, and Flat Washer (Pics 2 and 3). Return the Roll Stand Assembly to the upright position.



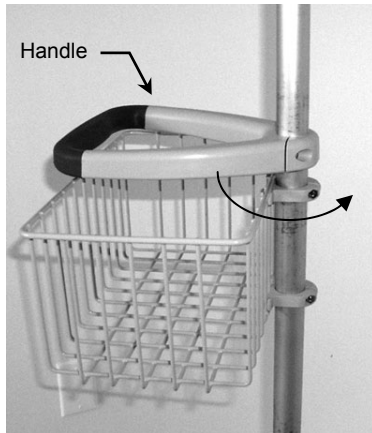
5/16 x 1" HHCS (1)  
5/16 Lock Washer (1)  
5/16 Flat Washer (1)

Pic 2

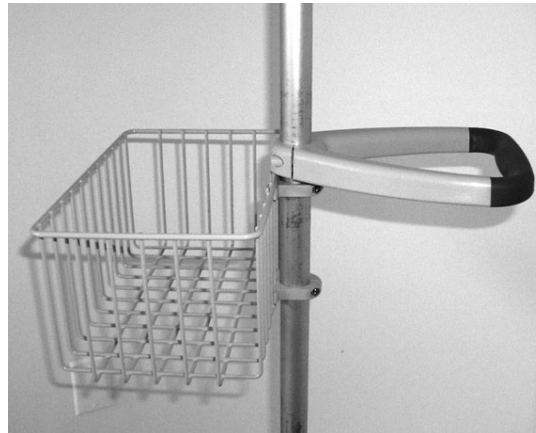


Pic 3

3. Loosen the two (2) Phillips-head Handle Clamp screws and rotate the Handle to the opposite side of the Post (Pics 4 and 5). Tighten the screws to secure the Handle in position opposite the Basket. **Installation Note:** The Roll Stand Handle is positioned above the Utility Basket for shipping purposes only.



Pic 4



Pic 5

4. Lower the instrument onto the Mounting Plate, inserting the four (4) feet in the rectangular mounting holes (Pic 6). When the instrument clicks into place, it is securely mounted. To remove the instrument, press the release button on the front of the mount and lift the instrument off the mounting plate.



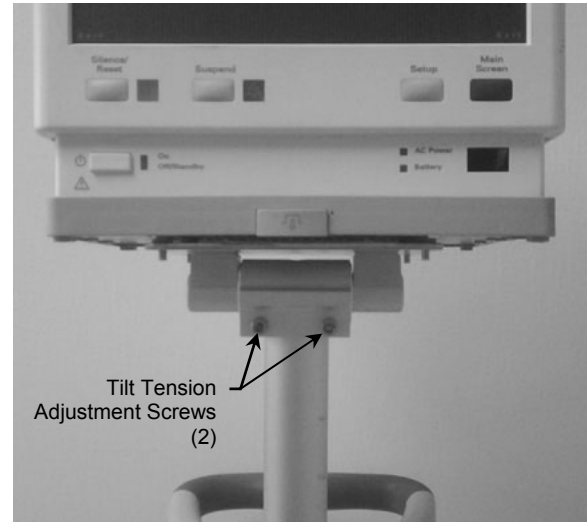
Pic 6

## Tilt Tension Adjustment

1. Grasp the Monitor Handle and rock the Monitor forward and back to check the tilt tension (Pic 7). The tension should be sufficient to prevent the Monitor from falling forward or back under its own weight.
2. Tilt Tension Adjustment Screws are located at the front of the Stand, beneath the Monitor (Pic 8). Use the 5/32" [4 mm] hex key to equally tighten or loosen these screws until the desired tension is achieved.



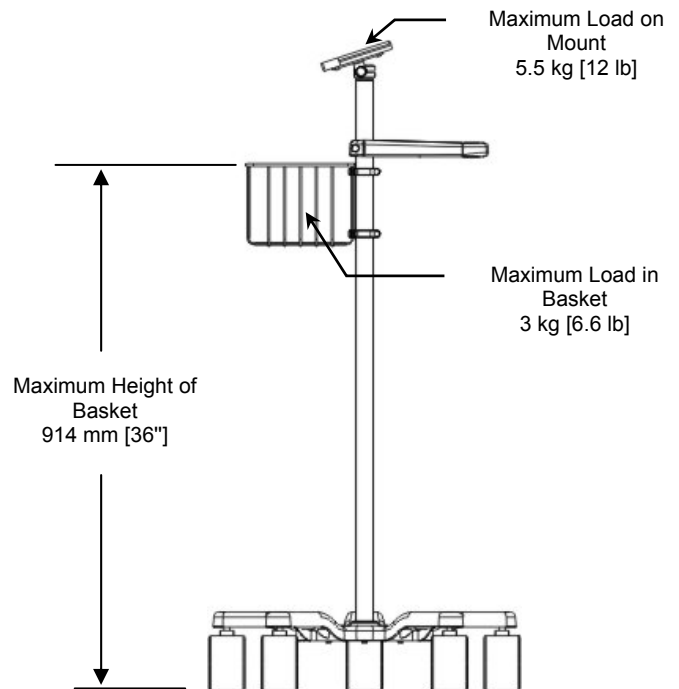
Pic 7



Pic 8

## Specifications and Load Ratings

The supplier of this mounting system is not liable for any injuries caused by misuse or by configurations other than those described in this installation guide.



**MAINTENANCE:** It is recommended that all the fasteners associated with the mounting system be periodically checked and tightened.

**CLEANING:** The mounting system may be cleaned with any non-abrasive solution as approved by the facility in which the product will be used.