

## Installation Guide

### Dual Channel Column for Horizontal Channel

The purpose of this guide is to describe installation of the Dual Channel Column in a horizontal channel.

**Installation Note:** The Dual Channel Column shown in this installation guide may differ in height from the unit received. The Dual Channel Column received may not have a pass-through hole in the Column as shown below.

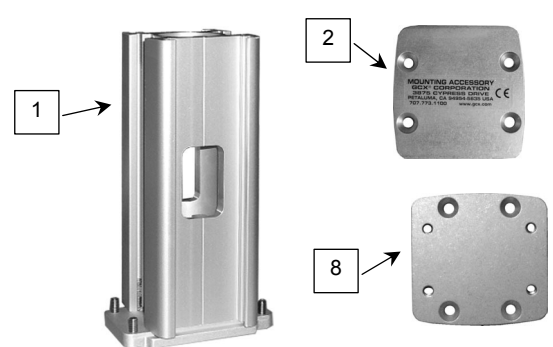


**WARNING!** It shall be the responsibility of the installer to determine whether the horizontal channel will support the weight of the Dual Channel Column and any mounted instruments or accessories. Load capacity decreases as the load is extended laterally from the Mount. This Dual Channel Column is not compatible with most anesthesia machine top plate applications.

#### Parts Reference

The following parts and hardware are included in this installation kit (hardware not shown):

Item #	Description	Qty
1	Dual Channel Column	1
2	Cover Plate	1
3	1/4-20 x 5/8" Flat Head Socket Cap Screw (FHSCS)	4
4	Channel Cover, 16" L x 2" W	2
5	Channel Cover, 12" L x 1" W	2
6	1/8" Hex Wrench	1
7	5/32" Hex Wrench	1
*8	Adapter Kit, 90° Rotation (includes instructions & hardware)	1



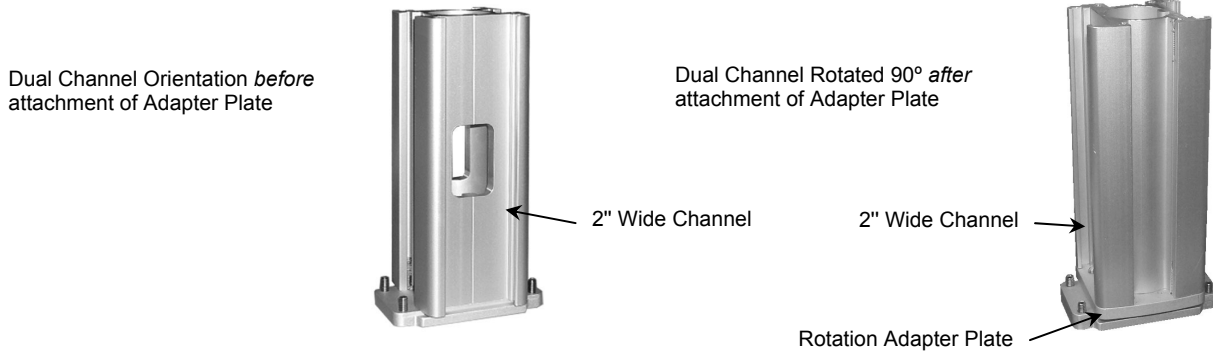
\*See top of page 2 for use of this kit.

#### Tools required

1/8", 5/32" hex wrenches (provided), and Phillips screwdriver (not provided).

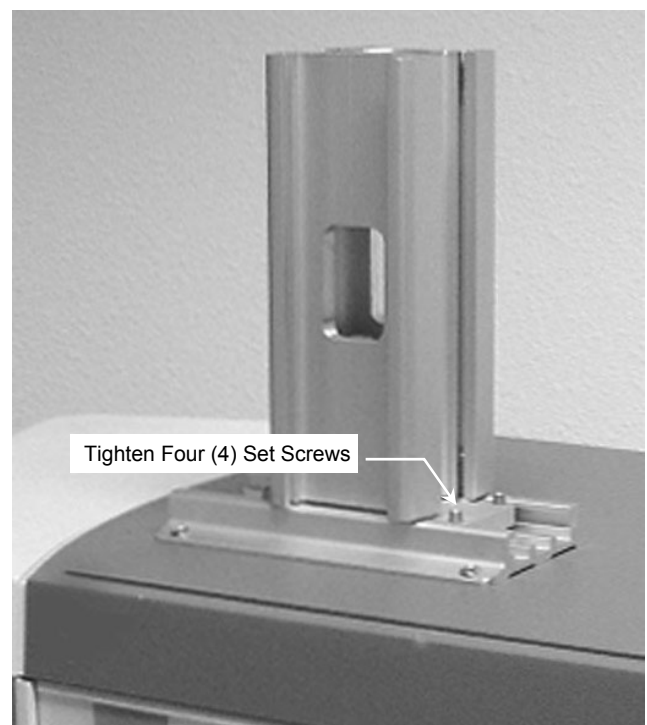
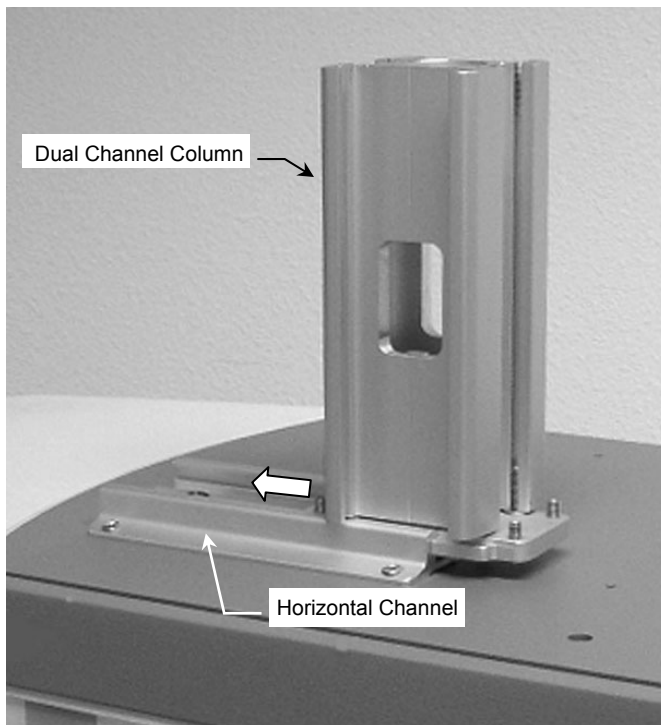
## Mounting the Dual Channel Column in the Horizontal Channel (Horizontal Channel not included)

**Installation Note:** A separate installation kit for rotating the Dual Channel Column 90° is included with this installation kit. If rotation of the Column is required please install the Rotation Adapter Plate before installing the Column in the channel. A separate installation guide is included with the Rotation Adapter Plate.



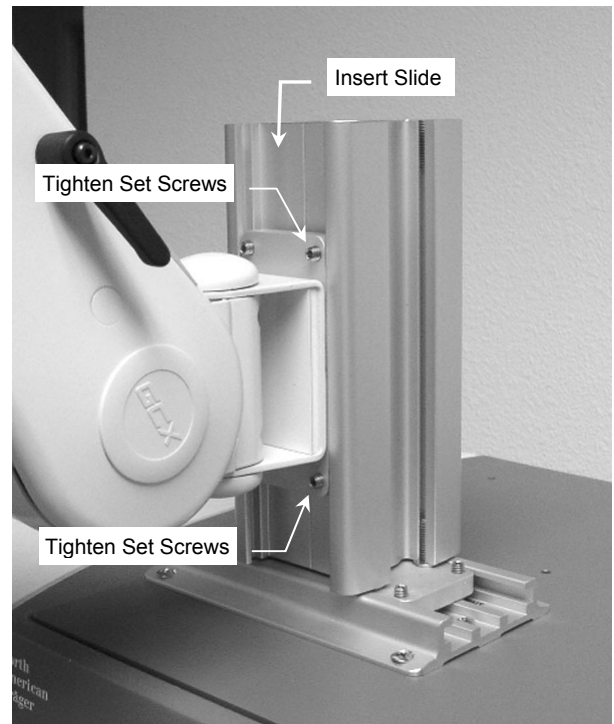
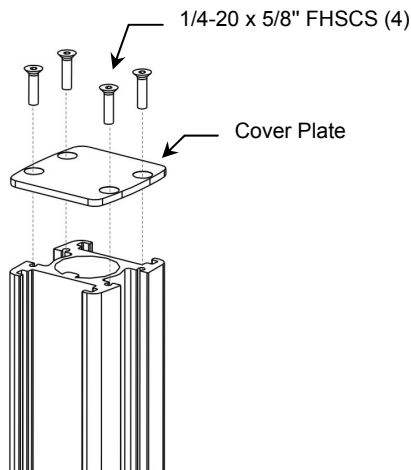
1. Guide Channel Slide (bottom of Column) into end of channel and move Column to desired position in channel. Using the 1/8" hex wrench provided, tighten four (4) set screws in Channel Slide to secure position of Column.

**Installation Note:** Do not install Cover Plate on top of Dual Channel Column until the mounting system has been installed (see *Installing a Mounting Assembly on the Dual Channel Column* on page 3).



## Installing a Mounting Assembly on the Dual Channel Column

1. Insert Channel Slide in top of Channel, move to mounting position, and tighten all set screws in Slide. VHM Arm is shown in example below right.
2. Using the 5/32" hex wrench provided, fasten Cover Plate to top of Dual Channel Column with four (4) 1/4-20 x 5/8" FHSCS (below).



## Installing Channel Covers (not shown)

Channel Covers are provided for both the 2-inch and 1-inch wide Channels. Channel Covers serve both as an aesthetic cover and may be used for cable management along the Channel. After all equipment has been mounted, install Channel Covers in accordance with separate installation guide.

## Routine Maintenance of the Mounting System

Periodically check all mounting hardware. Tighten fasteners and adjust as necessary for optimal operation and safety.

## Cleaning the Mounting System

**CAUTION:** GCX makes no claims regarding the efficacy of the listed chemicals or processes as a means for controlling infection. Consult your hospital's infection control officer or epidemiologist. To clean or sterilize mounted instruments or accessory equipment, refer to the specific instructions delivered with those products.

1. The mounting assembly may be cleaned with most mild, non-abrasive solutions commonly used in the hospital environment (e.g. diluted bleach, ammonia, or alcohol solutions).
2. The surface finish will be permanently damaged by strong chemicals and solvents such as acetone and trichloroethylene.
3. Do not use steel wool or other abrasive material to clean the mounting assembly.
4. Damage caused by the use of unapproved substances or processes will not be covered by warranty. We recommend testing of any cleaning solution on a small area of the mounting assembly that is not visible to verify compatibility.
5. Never submerge or allow liquids to enter the components of the mounting system. Wipe all cleaning agents off the mounting system immediately using a water-dampened cloth. Dry the arm thoroughly after cleaning.