

Installation Guide

GE Healthcare Products: Solar™ 8000/8000M/8000I and CARESCAPE™ B850
Adjustable Flat Panel Stack Mount, Horizontal Channel, or Counter Top

The purpose of this guide is to:

1. Describe attachment of the Stack Mount to the base unit (page 2).
2. Describe mounting of Stack Mount in horizontal channel (page 3) or on counter top (page 4).
3. Describe mounting of flat panel display on Stack Mount (page 4).
4. Describe attachment of optional Power Supply Bracket to Stack Mount (page 5).
5. Describe adjustments to Stack Mount (page 5).

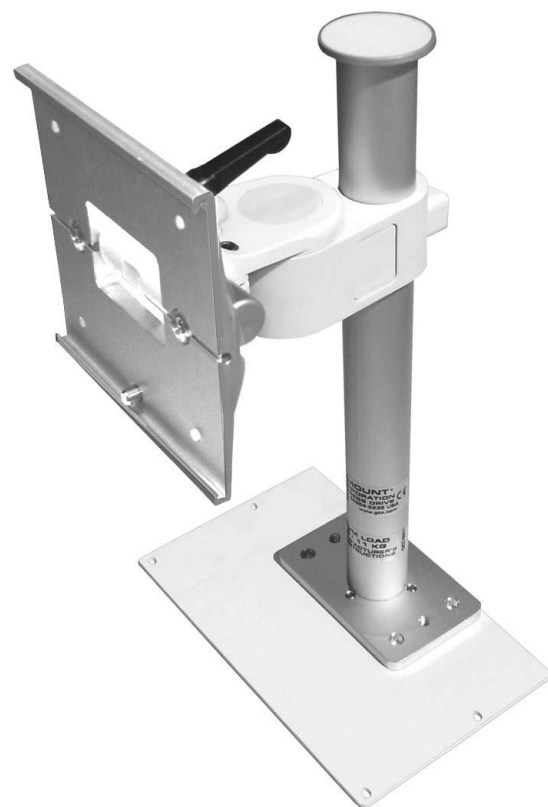
Parts Reference

The following parts and hardware are included with this installation kit (hardware not shown):

Item #	Description	Qty
1	Adjustable Stack Mount Assembly	1
2	#6-32 x 5/16" Pan Head Machine Screw (PHMS)	4
3	#6-32 x 7/16" PHMS	2
4	#10 x 1/8" Spacer	2
5	1/4-20 Thumb Screw	2
*6	1/4-20 x 1-3/4" Carriage Bolt	4
*7	1/4-20 x 3/4" Carriage Bolt	4
*8	1-1/4" (OD) Flat Washer	4
*9	1/4-20 Kep Nut	4
**10	#10 x 5/8" Flat Head Mounting Screw (FHSMS) 100°	2
11	5/32" Hex Wrench	1

*See "Tools Required" and "Installation Note" below.

**Used for attachment of optional Power Supply Bracket (see page 5).



Tools Required

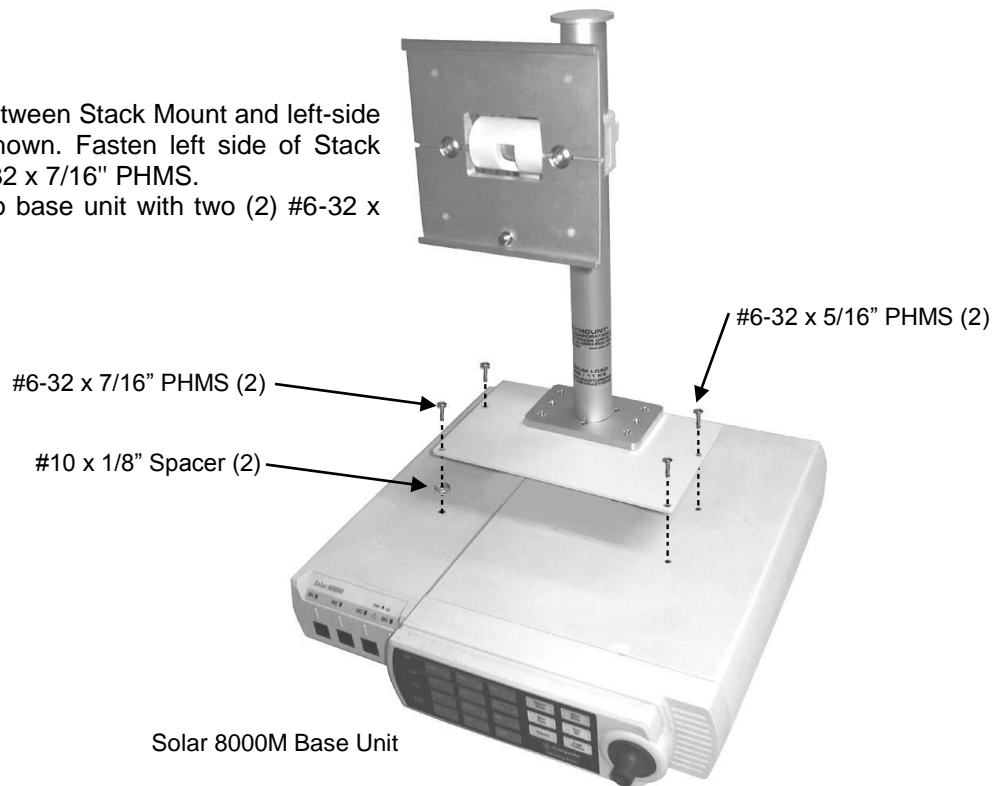
- Phillips screwdriver
- 5/32" hex wrench (provided)
- 1/2" socket wrench or nut driver.
- *Drill and 17/64" drill bit
- *7/16" [11mm] wrench

***Installation Note:** Drill, 17/64" bit, and 7/16" wrench required only for counter top mounting of the Stack Mount (page 4).
Items 6 – 9 in Parts Reference used only for counter top mounting of the Stack Mount.

Attaching Stack Mount to Base Unit

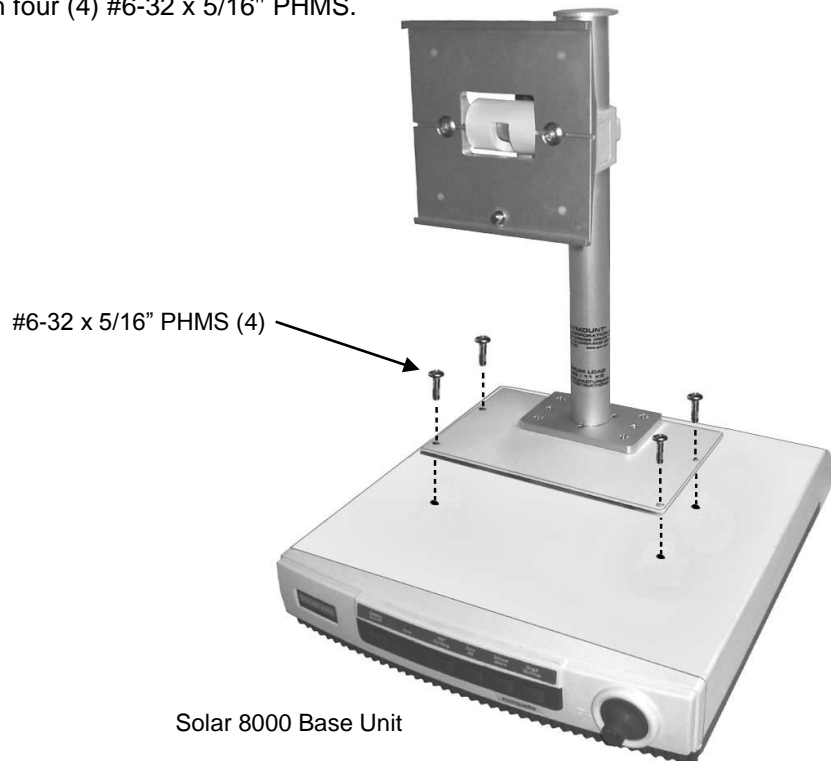
Solar 8000I / 8000M

1. Insert two (2) #10 x 1/8" spacers between Stack Mount and left-side mounting holes of base unit as shown. Fasten left side of Stack Mount to base unit with two (2) #6-32 x 7/16" PHMS.
2. Fasten right side of Stack Mount to base unit with two (2) #6-32 x 5/16" PHMS.



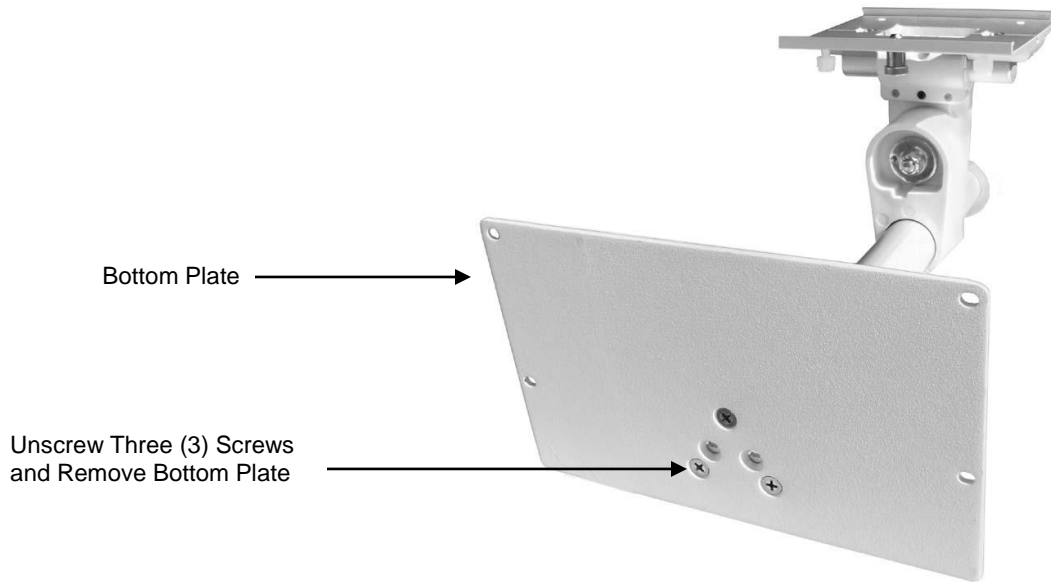
Solar 8000 / CARESCAPE B850

1. Fasten Stack Mount to base unit with four (4) #6-32 x 5/16" PHMS.



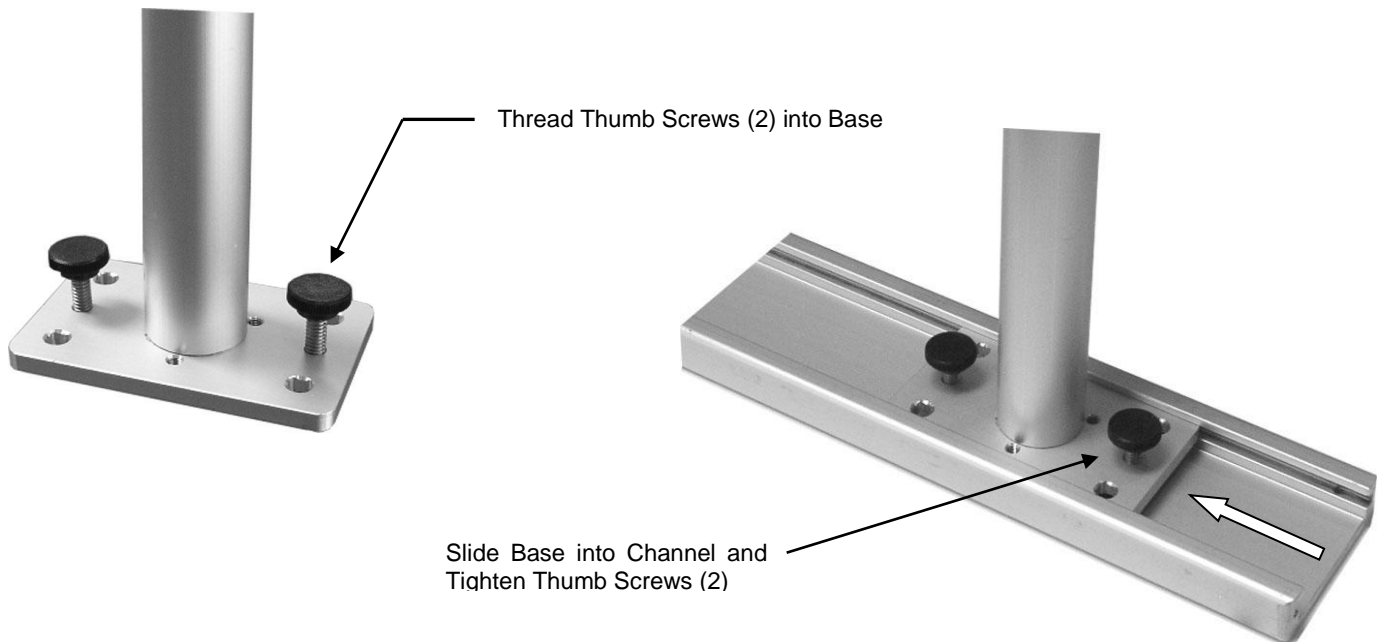
Mounting Stack Mount in Horizontal Channel or on Counter Top

1. Unscrew three (3) flat head screws from bottom of Stack Mount assembly, and remove Bottom Plate from assembly.



Mounting in Horizontal Channel

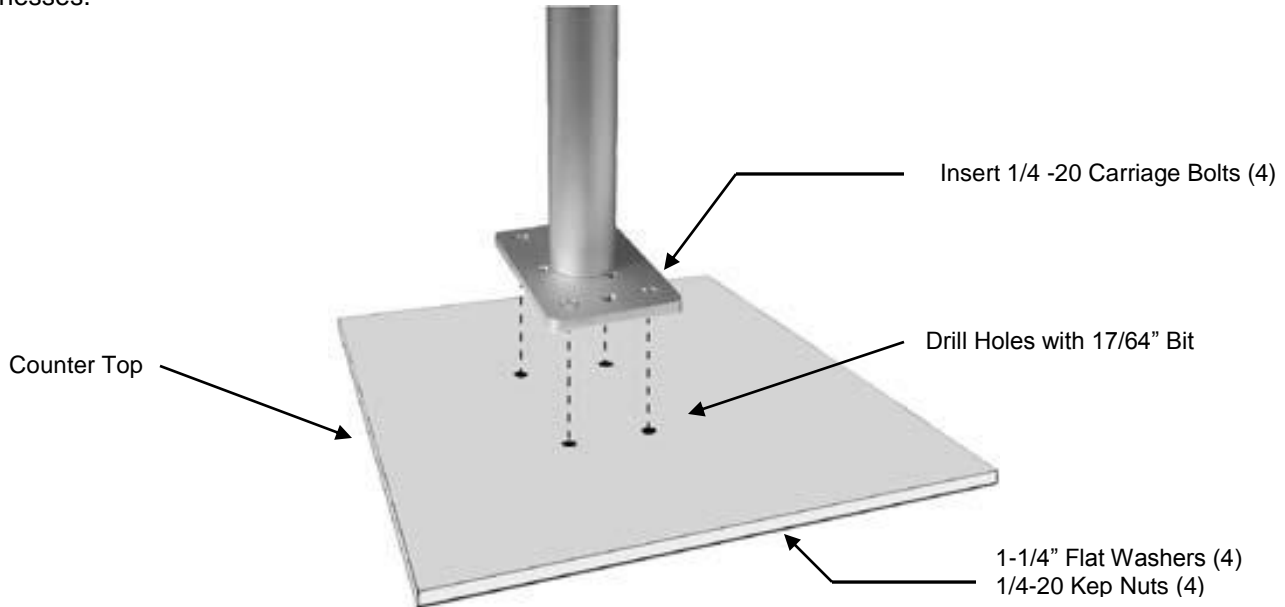
1. Thread two (2) thumb screws into top of Base Plate at bottom of Stack Mount (below left).
2. Slide Base Plate into the channel and move to desired mounting position (below right).
3. Tighten two (2) thumb screws to secure position in channel (below right).



Mounting on Counter Top

1. Using the Base Plate as a template, drill four (4) holes in the counter top with a $17/64$ " drill bit.
2. Fasten Base Plate to counter top using four (4) $1/4$ -20 carriage bolts, four (4) $1-1/4$ " flat washers, and four (4) $1/4$ -20 Kep nuts. Carriage Bolts are inserted through the Base Plate from the top.

Installation Note: Two (2) different lengths of carriage bolts ($3/4$ " and $1-3/4$ ") are provided for different counter top thicknesses.



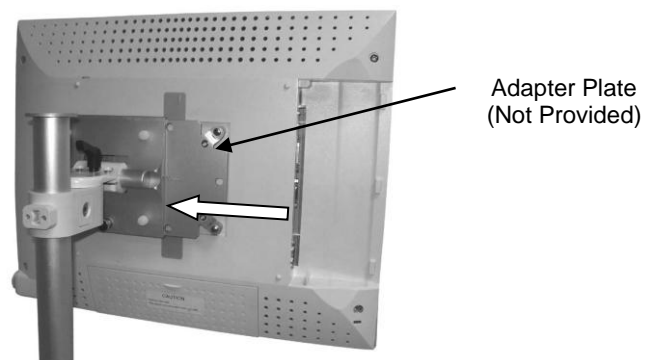
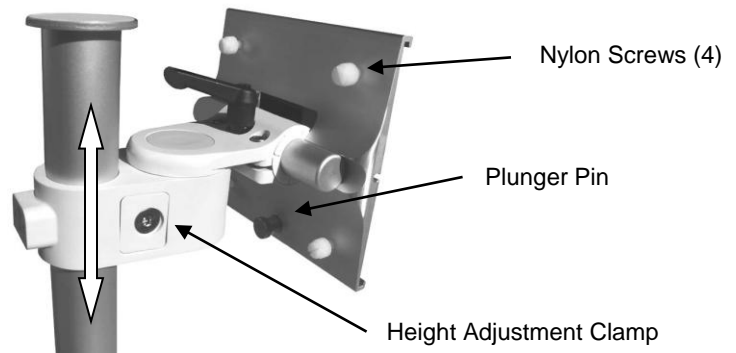
Mounting the Flat Panel Display

1. Determine height at which the display must be mounted.

2. Using the $5/32$ " hex wrench, loosen the Height Adjustment Clamp on the side of the mounting assembly (right). Slide Mount to desired height on Post and tighten Clamp until Mount is secure.

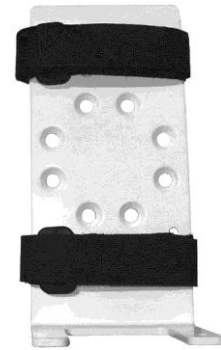
Installation Note: Further tightening may be necessary after mounting the display. Do not tighten beyond 60 in-lbs. maximum.

3. Slide Display with Mounting Adapter (not provided in this kit) laterally onto Mounting Plate until Adapter contacts Plunger at bottom of Mounting Plate. Pull Plunger and continue sliding display until Plunger snaps into clearance hole. Tighten Nylon screws (4) on rear of Mounting Plate.



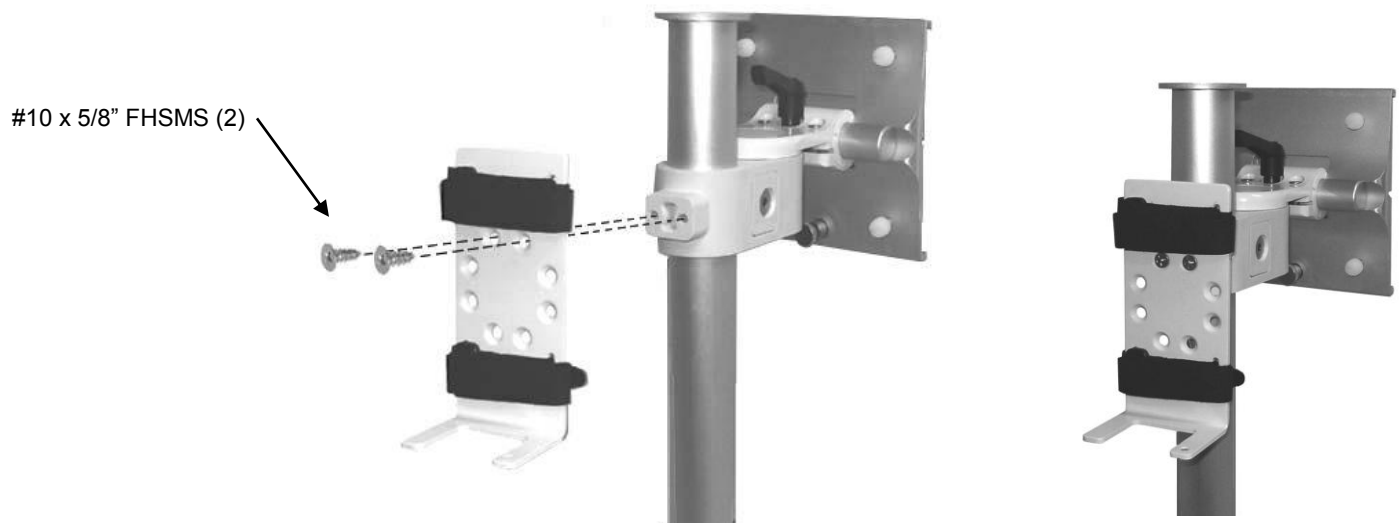
Attaching Optional Power Supply Bracket to Stack Mount

Flat Panel Power Supply Bracket (GCX-0008-15) is required for this procedure.



1. Fasten Power Supply Bracket to rear of Stack Mount with two (2) new #10 x 5/8" Flat Head Sheet Metal Screws (FHSMS) as shown below left.

2. Refer to installation guide included with Power Supply Bracket (GCX-0008-15) for mounting the power supply into the Bracket.



Tilt and Swivel Adjustments

Tilt Position

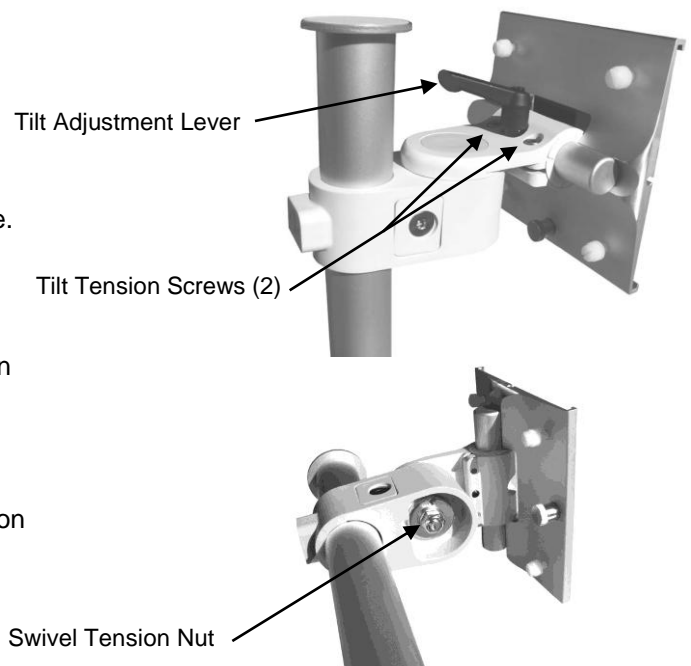
1. Loosen Tilt Adjustment Lever.
2. Grasp top and/or bottom of instrument and tilt to desired angle.
3. Tighten Tilt Adjustment Lever.

Tilt Tension

1. Using the 5/32" hex wrench provided, equally tighten or loosen the two (2) Tilt Tension Screws.

Swivel Tension

1. Using a 1/2" socket wrench, loosen or tighten the swivel tension nut on the bottom of the Height Adjustment Clamp.



Routine Maintenance

Periodically inspect all hardware associated with the mounting system. Tighten or adjust as necessary for optimal operation and safety.

Cleaning the Mounting Assembly

1. The mounting assembly may be cleaned with most mild, non-abrasive solutions commonly used in the hospital environment (e.g. diluted bleach, ammonia, or alcohol solutions).
2. The surface finish will be permanently damaged by strong chemicals and solvents such as acetone and trichloroethylene.
3. Do not use steel wool or other abrasive material to clean the mounting assembly.
4. Damage caused by the use of unapproved substances or processes will not be covered by warranty. We recommend testing of any cleaning solution on a small area of the arm that is not visible to verify compatibility.
5. Do not submerge or allow liquids to enter the arm. Wipe any cleaning agents off of the arm immediately using a water dampened cloth. Dry the arm thoroughly after cleaning.

CAUTION: GCX makes no claims regarding the efficacy of the listed chemicals or processes as a means for controlling infection. Consult your hospital's infection control officer or epidemiologist. To clean or sterilize mounted instruments or accessory equipment, refer to the specific instructions delivered with those products.