

## Installation Guide

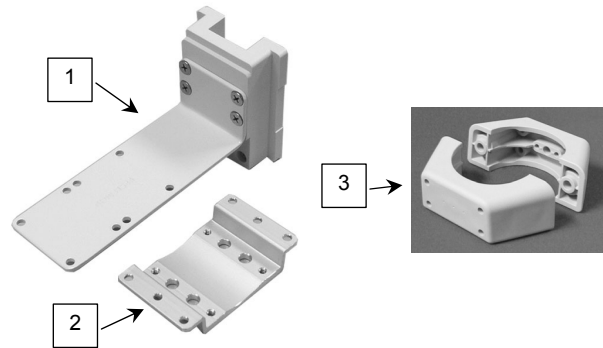
### PRN-50/Tram-rac 2 Mounting Kit for Channel or 2" Pole

The purpose of this guide is to:

1. Describe mounting of PRN-50 or Tram-rac 2 in channel (pages 1 – 2).
2. Describe mounting of PRN-50 or Tram-rac 2 on pole (page 3).

The following parts and hardware are included in this installation kit (hardware not shown):

Item #	Description	Qty
1	Mounting Bracket/Channel Slide Assembly	1
2	Mounting Adapter	1
3	Clamping Blocks (front & rear halves)	1
4	#10-32 x 9/16" Pan Head Machine Screw (PHMS)	2
5	M4 x 10mm PHMS	4
6	#8-32 X 5/16" PHMS	4
7	#6-32 X 3/8" PHMS	4
8	#6 Flat Washer	4
9	1/8" Hex Wrench	1



### Tools Required

Phillips screwdriver (not provided), 1/8" hex wrench (provided).

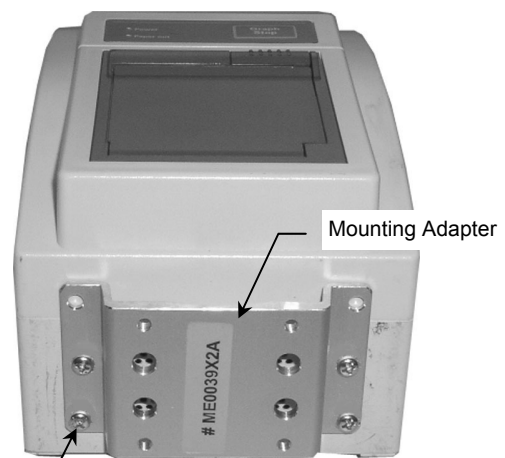
### Mounting PRN-50 or Tram-rac 2 in Channel

#### PRN-50

1. Locate four (4) mounting holes in bottom of PRN-50 (below left). Fasten Mounting Adapter to bottom of printer with four (4) M4 x 10mm (below right).



Mounting Holes (4)



M4 x 10mm PHMS (4)

2. Fasten PRN-50 Mount to Mounting Bracket with four (4) #8-32 x 5/16" PHMS (below left).
3. Insert Slide in top of Channel and move to desired mounting position (below right). Using the 1/8" hex wrench provided, tighten set screw at bottom of Slide.



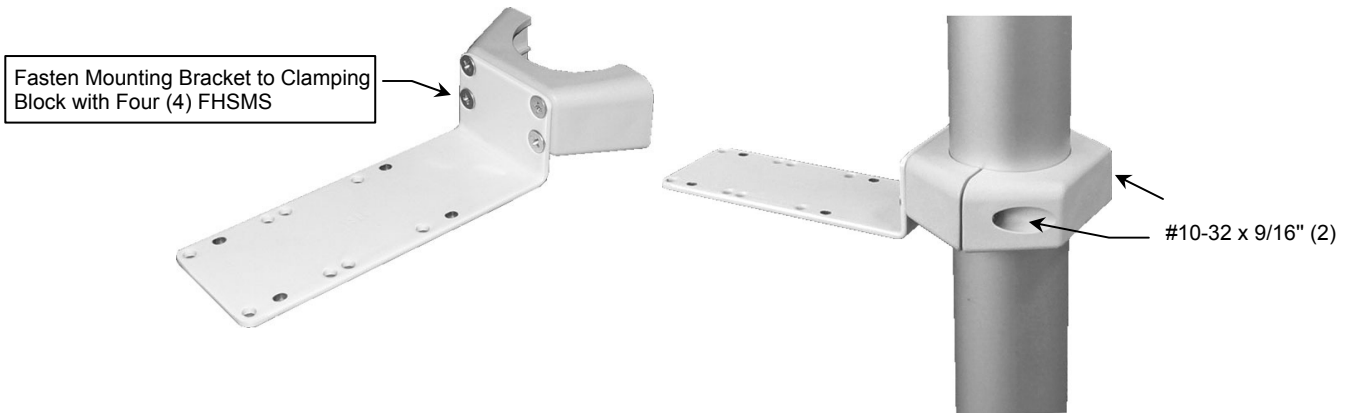
### Tram-rac 2

1. Fasten Mounting Bracket to corresponding mounting holes in bottom of Tram-rac 2 housing with four (4) #6-32 x 3/8" PHMS & #6 flat washers.
2. Insert Slide in top of Channel and move to desired mounting position (below right). Using the 1/8" hex wrench provided, tighten set screw at bottom of Slide.



## Mounting PRN-50 or Tram-rac 2 on 2" Pole

1. Unscrew Mounting Bracket from Channel Slide (not shown). Retain four (4) flat head sheet metal screws (FHSMS).
2. Using screws removed in step 1, fasten Mounting Bracket to 4-hole mounting pattern in Clamping Block as shown below left.
3. Fasten Clamping Blocks around pole with two (2) #10-32 x 9/16" PHMS as shown below right.



4. **PRN-50:** Fasten to Mounting Bracket with four (4) #8-32 x 5/16" PHMS (below left).  
**Tram-rac 2:** Fasten to Mounting Bracket with four (4) #6-32 x 3/8" PHMS & #6 flat washers (below right).

