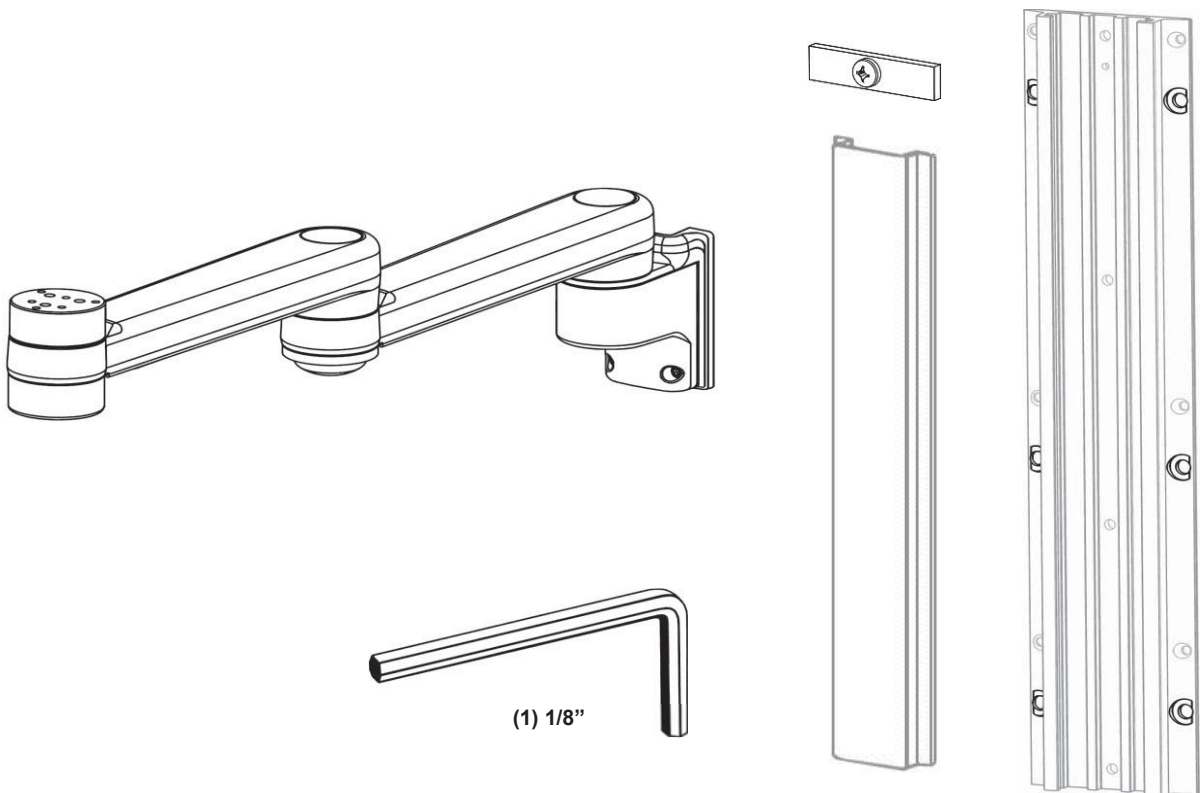




Mindray 12" x 12" M-Series Arm for 100mm x 100mm VESA

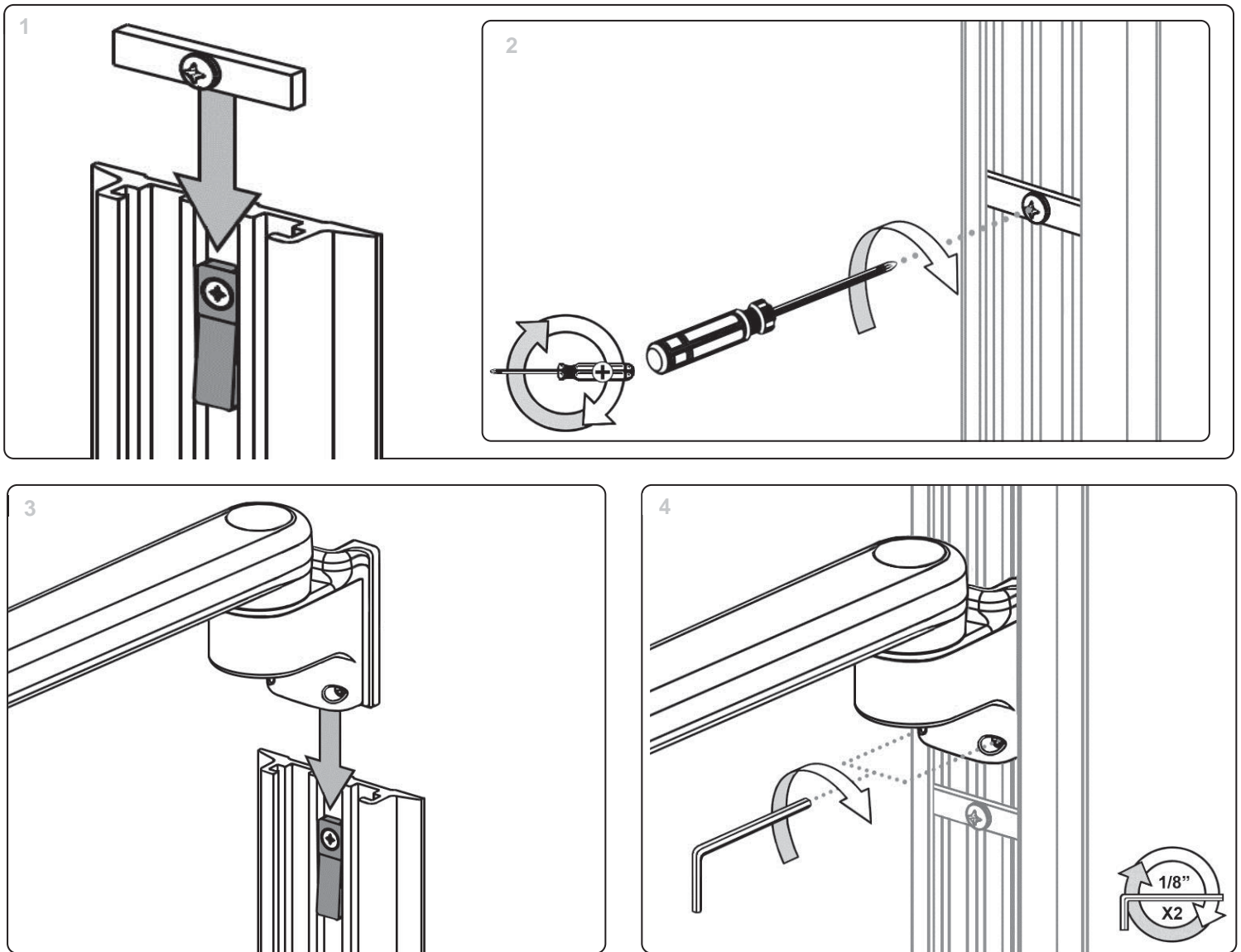


Installing Channel

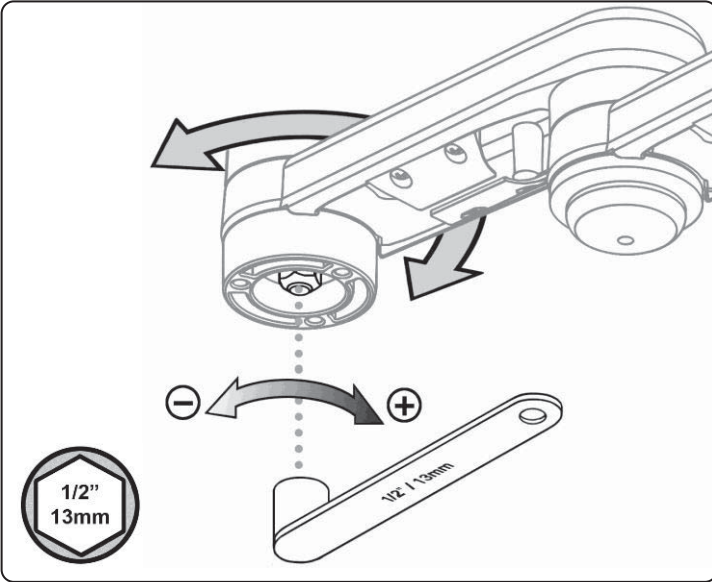
Install Channel in accordance with separate Installation Guide (DU-MND-0008-10).



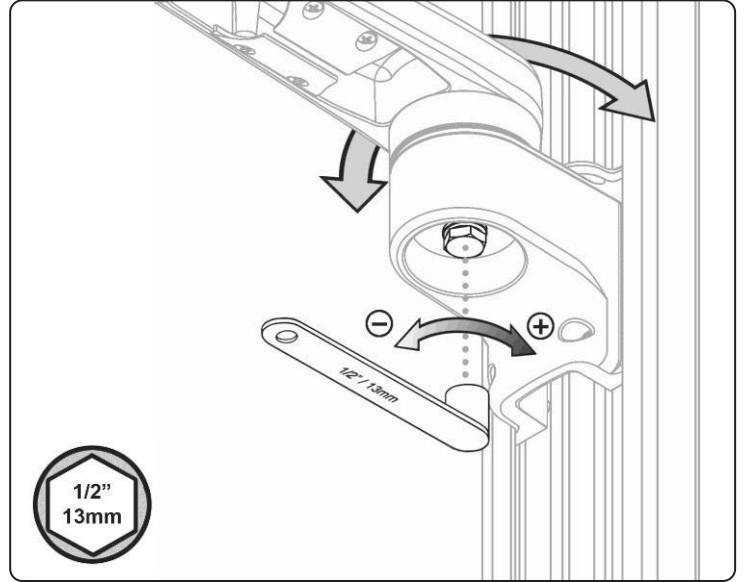
Installing Arm in Channel



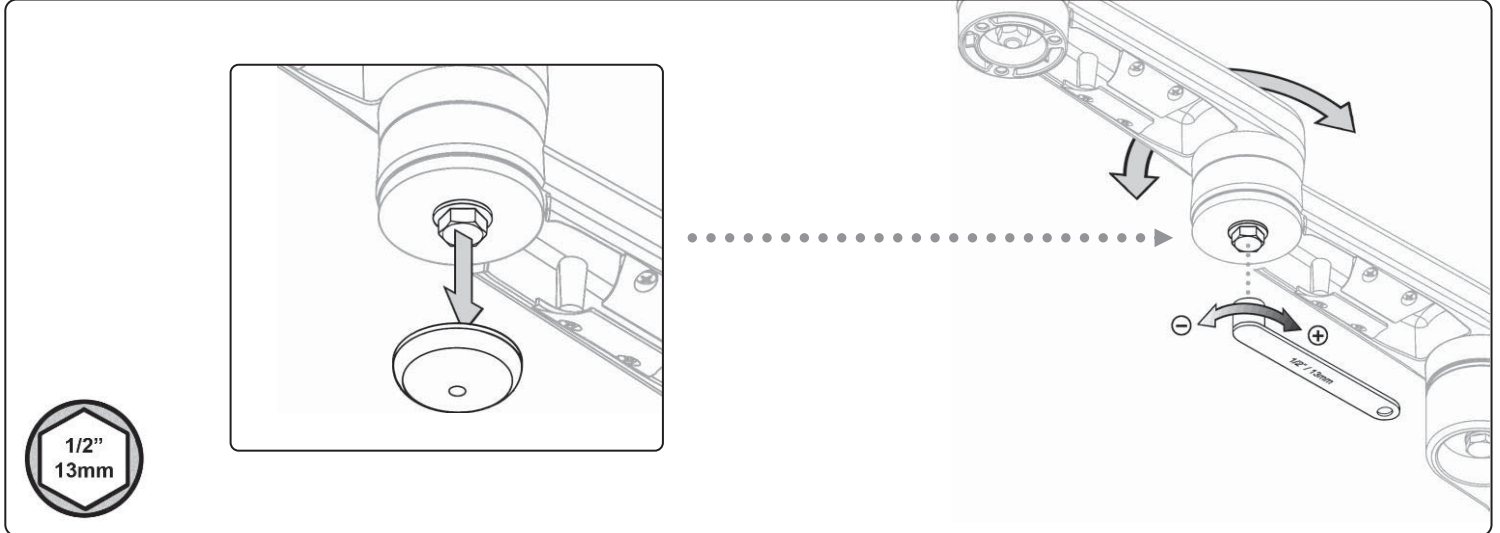
Swivel Tension Adjustment



Pivot Tension Adjustment



Center Pivot Tension Adjustment



Installing Channel Covers

