

Installation Guide

Counter Top/Horizontal Channel Mount for Philips Heartstart MRx and Heartstart XL+

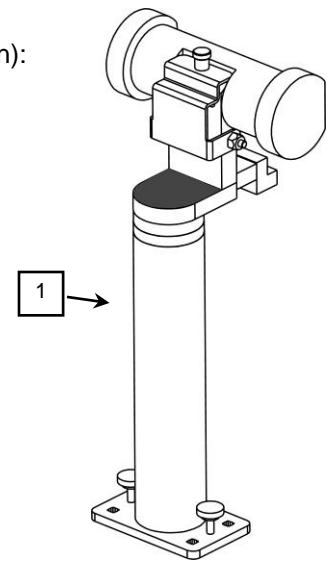
The purpose of this guide is to:

1. Describe procedure for installing the Mount on a counter top (page 2).
2. Describe procedure for installing the Mount in a horizontal channel (page 3).
3. Describe procedure for installing defibrillator on the Mount (page 3).

Parts Reference

The following parts and hardware are included in this installation kit (hardware not shown):

Item #	Description	Qty
1	Mount Assembly	1
2	1/4-20 x 1-3/4" Carriage Bolt	4
3	1/4-20 x 3/4" Carriage Bolt	4
4	1-1/4" (OD) Flat Washer	4
5	1/4-20 Kep Nut	4



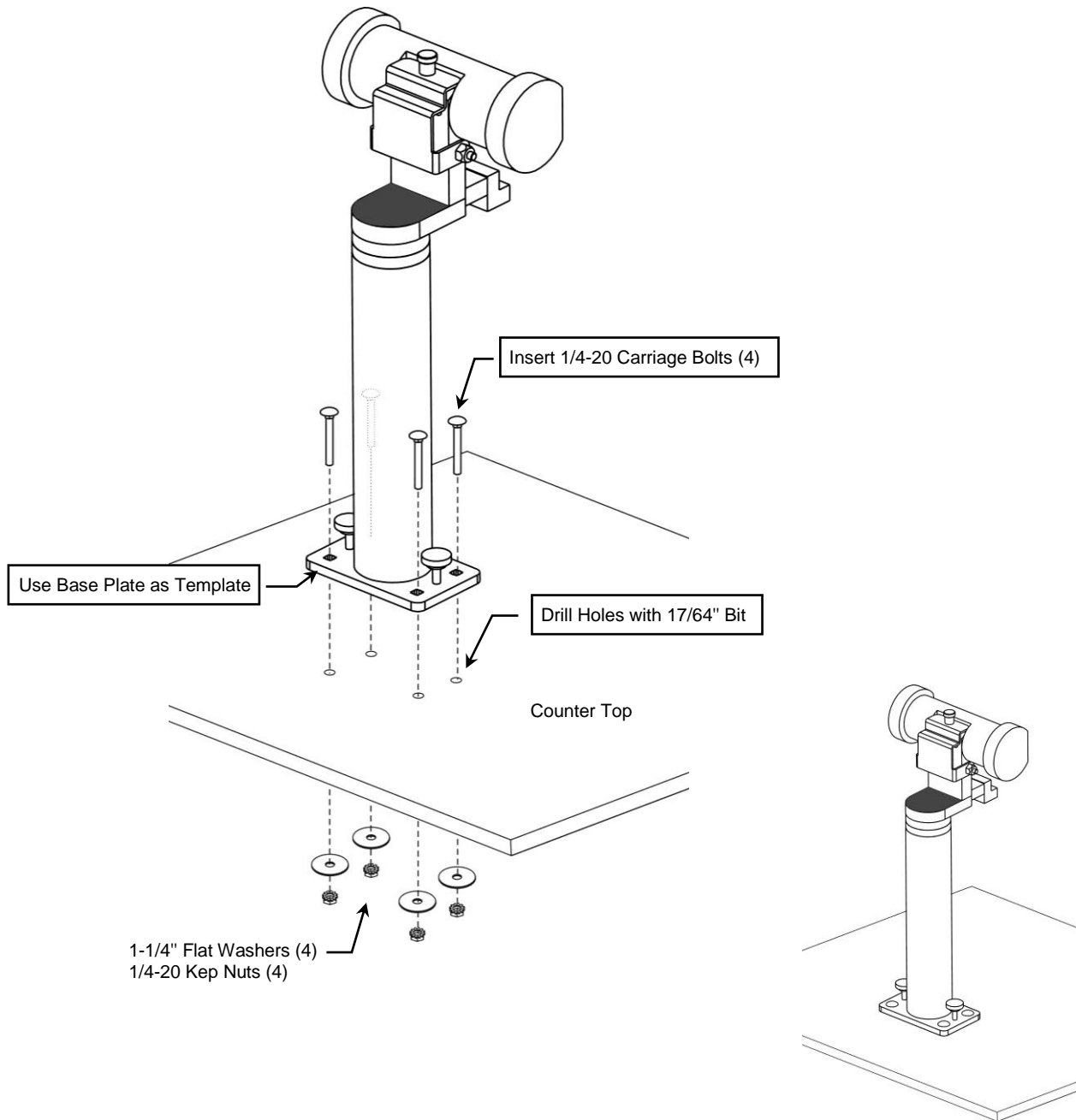
Tools Required

- Drill (not provided - required for counter top mounting)
- 17/64" drill bit (not provided - required for counter top mounting)
- 7/16" wrench (not provided - required for counter top mounting)

Installing Mount on Counter Top

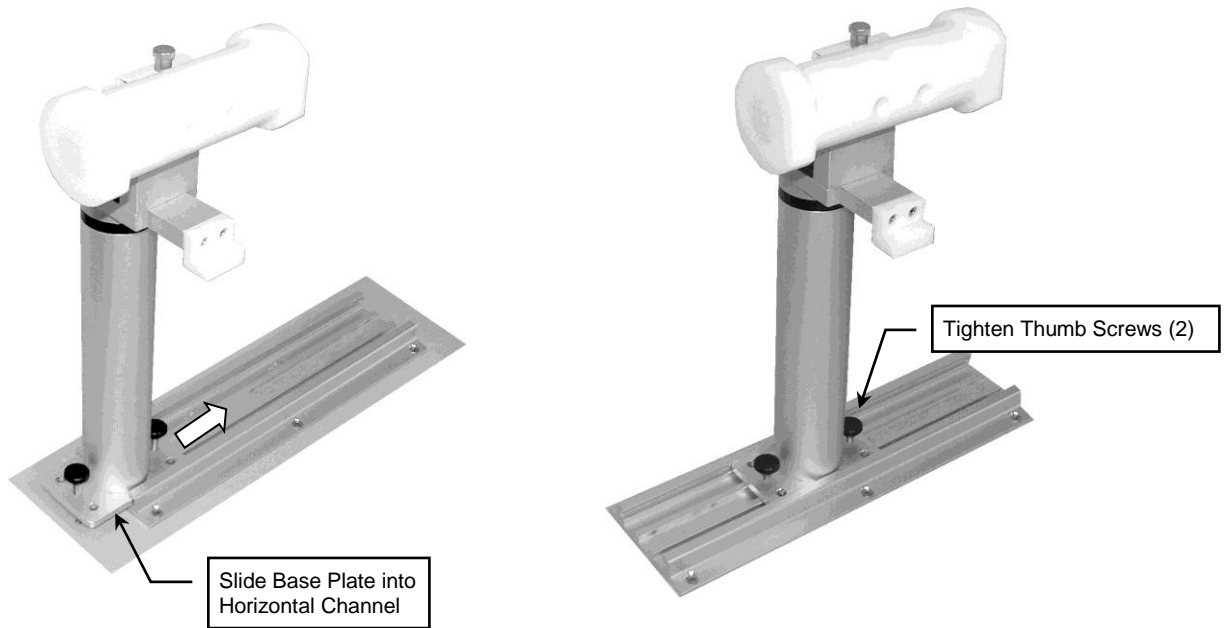
Refer to illustration below.

1. Using four (4) mounting holes in Base Plate as a template, drill four (4) holes in counter top with a $17/64$ " drill bit.
2. Determine correct length of carriage bolt for thickness of counter top. See *Parts Reference* (page 1) for carriage bolts included in this mounting kit.
3. Fasten Base Plate to counter top with four (4) $1/4$ -20 carriage bolts, four (4) 1-1/4" flat washers, and four (4) $1/4$ -20 kep nuts as shown below. Tighten nuts with a $7/16$ " wrench (not provided).



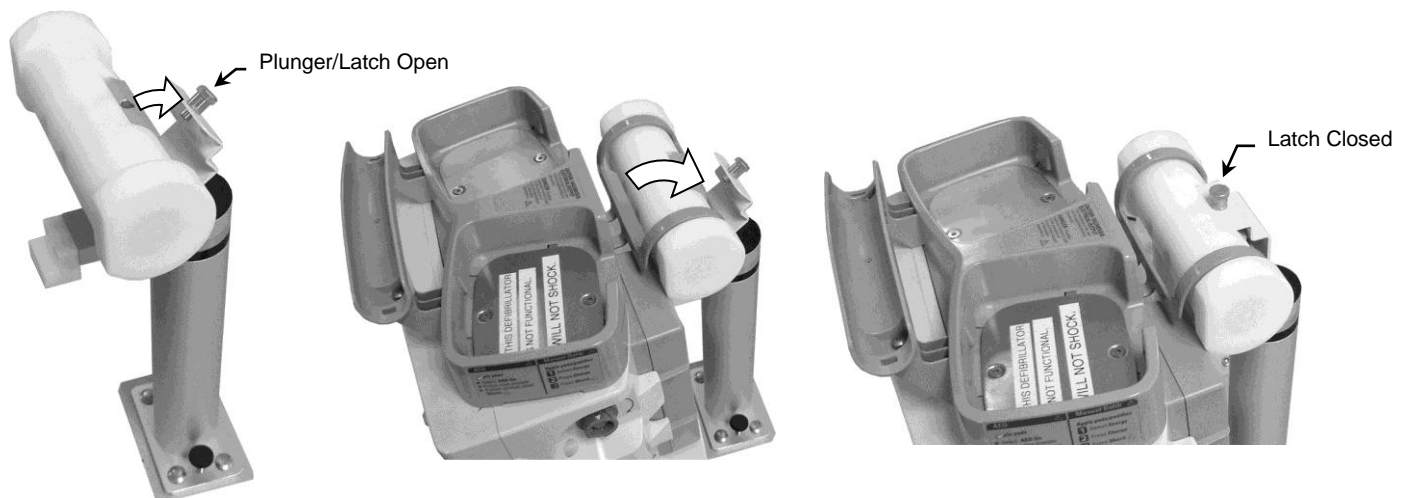
Mounting in Horizontal Channel

1. Slide the Base Plate into the channel and move to desired mounting position.
2. Tighten two (2) thumb screws to secure position in channel.



Mounting the Heartstart MRx

1. Pull Plunger and open the Bed Hook Latch (below left).
2. Hook the bed hook (rear of Heartstart MRx) over the Mounting Bar (below center).
3. Close the Bed Hook Latch over the bed hook, ensuring that the Plunger snaps into clearance hole (below right).



Swiveling the Mounted Instrument

Grasp the sides of the defibrillator and swivel to desired position. **Note:** Defibrillator may be rotated 360°.

Routine Maintenance of the Mounting Assembly

Periodically check all mounting hardware. Tighten as necessary for optimal operation and safety.

Cleaning the Mounting Assembly

CAUTION: GCX makes no claims regarding the efficacy of the listed chemicals or processes as a means for controlling infection. Consult your hospital's infection control officer or epidemiologist. To clean or sterilize mounted instruments or accessory equipment, refer to the specific instructions delivered with those products.

1. The mounting assembly may be cleaned with most mild, non-abrasive solutions commonly used in the hospital environment (e.g. diluted bleach, ammonia, or alcohol solutions).
2. The surface finish will be permanently damaged by strong chemicals and solvents such as acetone and trichloroethylene.
3. Do not use steel wool or other abrasive material to clean the mounting assembly.
4. Damage caused by the use of unapproved substances or processes will not be covered by warranty. We recommend testing of any cleaning solution on a small area of the mounting assembly that is not visible to verify compatibility.
5. Never submerge or allow liquids to enter the mounting assembly. Wipe any cleaning agents off of the mounting assembly immediately using a water-dampened cloth. Dry mounting assembly thoroughly after cleaning.