

## Installation Guide

### Low Profile Tilt/Swivel Mount for Mounting Philips SureSigns Monitor on Countertop or in Horizontal Channel

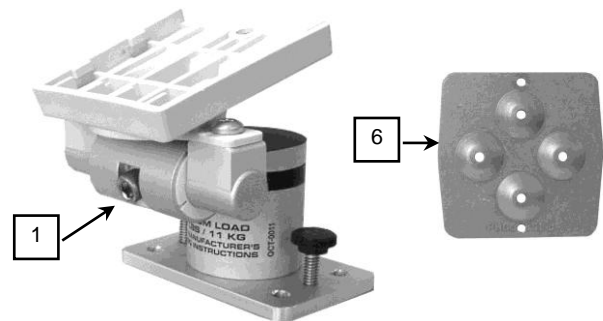
The purpose of this guide is to:

1. Describe installation of the Mount in a horizontal channel (page 2).
2. Describe installation of the Mount on a counter top (page 2).
3. Describe attachment of the Mounting Adapter to the monitor (page 3).
4. Describe mounting of monitor in the Mount (page 3).
5. Describe tilt tension adjustment (page 4).

## Parts Reference

The following parts and hardware are included in this installation kit (hardware not shown):

Item #	Description	Qty
1	Tilt/Swivel Mount, Countertop or Horiz. Channel	1
2	1/4-20 x 1-3/4" Carriage Bolt	4
3	1/4-20 x 3/4" Carriage Bolt	4
4	1/4" Flat Washer	4
5	1/4-20 Kep Nut	4
6	Mounting Adapter	1
7	M4 x 12mm PHMS	4
8	M4 Split Lock Washer	4
9	5/32" Hex Wrench	1



## Tools Required

Phillips screwdriver (not provided); \*Drill and 17/64" drill bit (not provided); \*7/16" wrench (not provided), and 5/32" hex wrench (provided).

\*Required only for counter top mounting (see page 2).

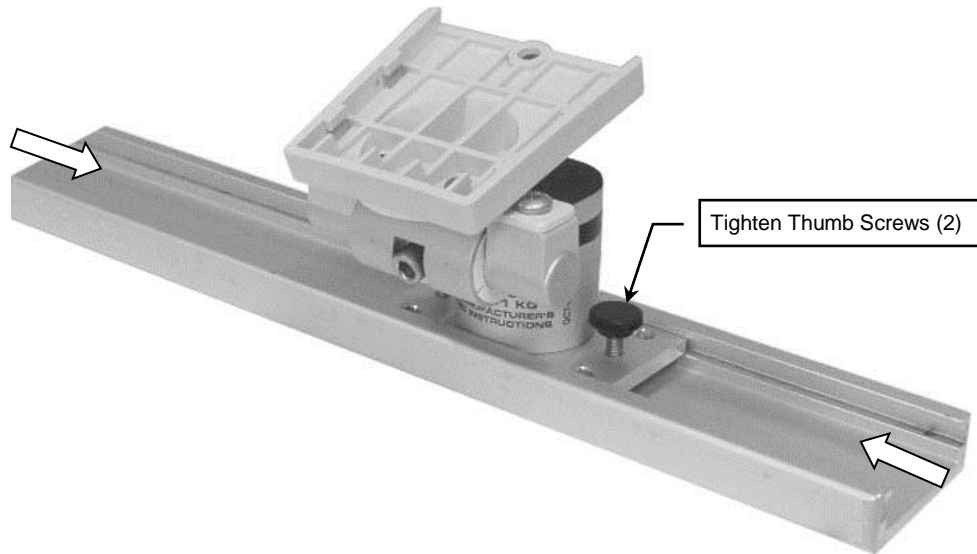
---

**WARNING:** It shall be the responsibility of the installer to determine whether the counter top surface will support the weight of the Mount and any mounted instruments or accessories.

---

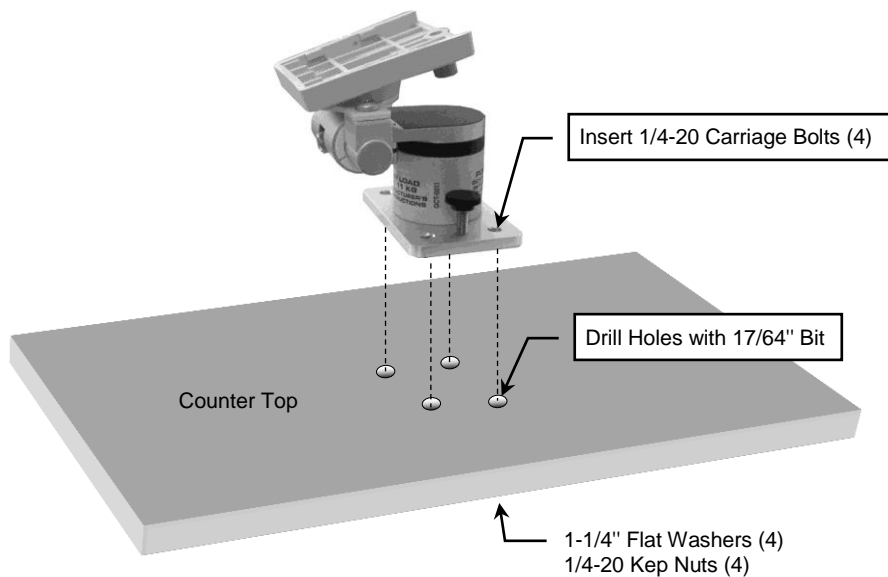
### Installing the Mount in a Horizontal Channel

1. Slide the Base Plate into the channel and move to desired mounting position.
2. Tighten two (2) thumb screws to secure position in channel.



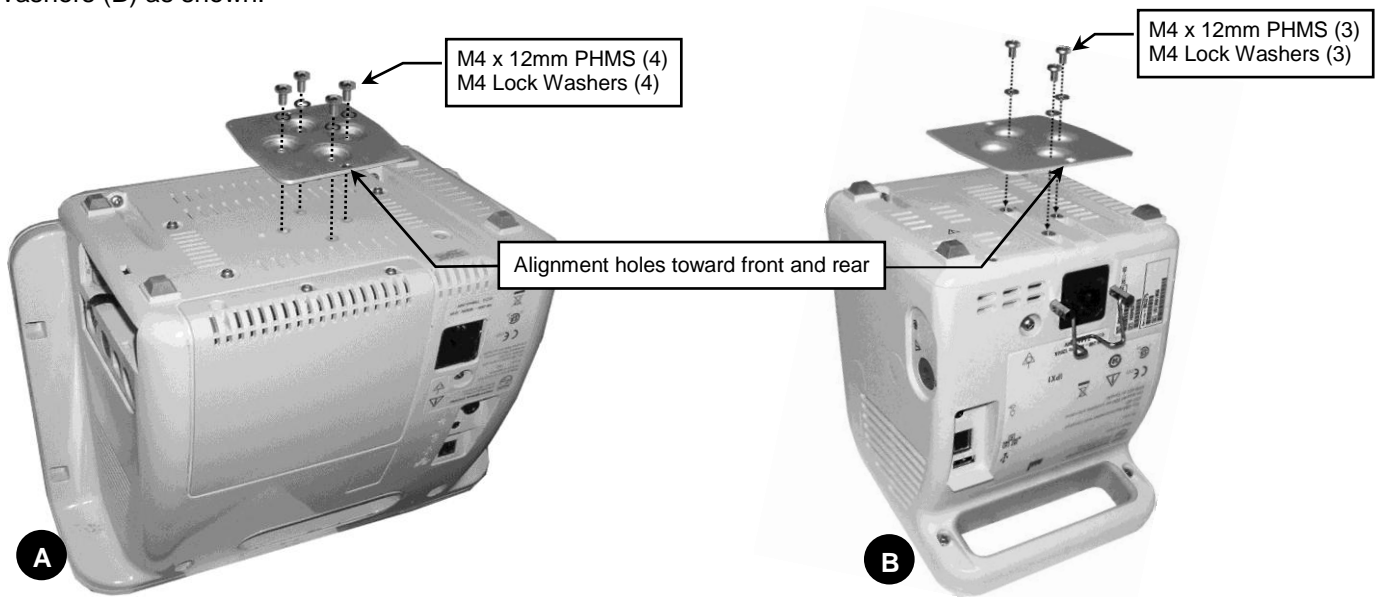
### Installing the Mount on a Counter Top

1. Using the Base Plate as a template, drill four (4) holes in the counter top with a  $17/64$ " drill bit.
2. Fasten Base Plate to counter top using four (4)  $1/4$ -20 carriage bolts, four (4)  $1-1/4$ " flat washers, and four (4)  $1/4$ -20 keps nuts. Carriage Bolts are inserted through the Base Plate from the top.



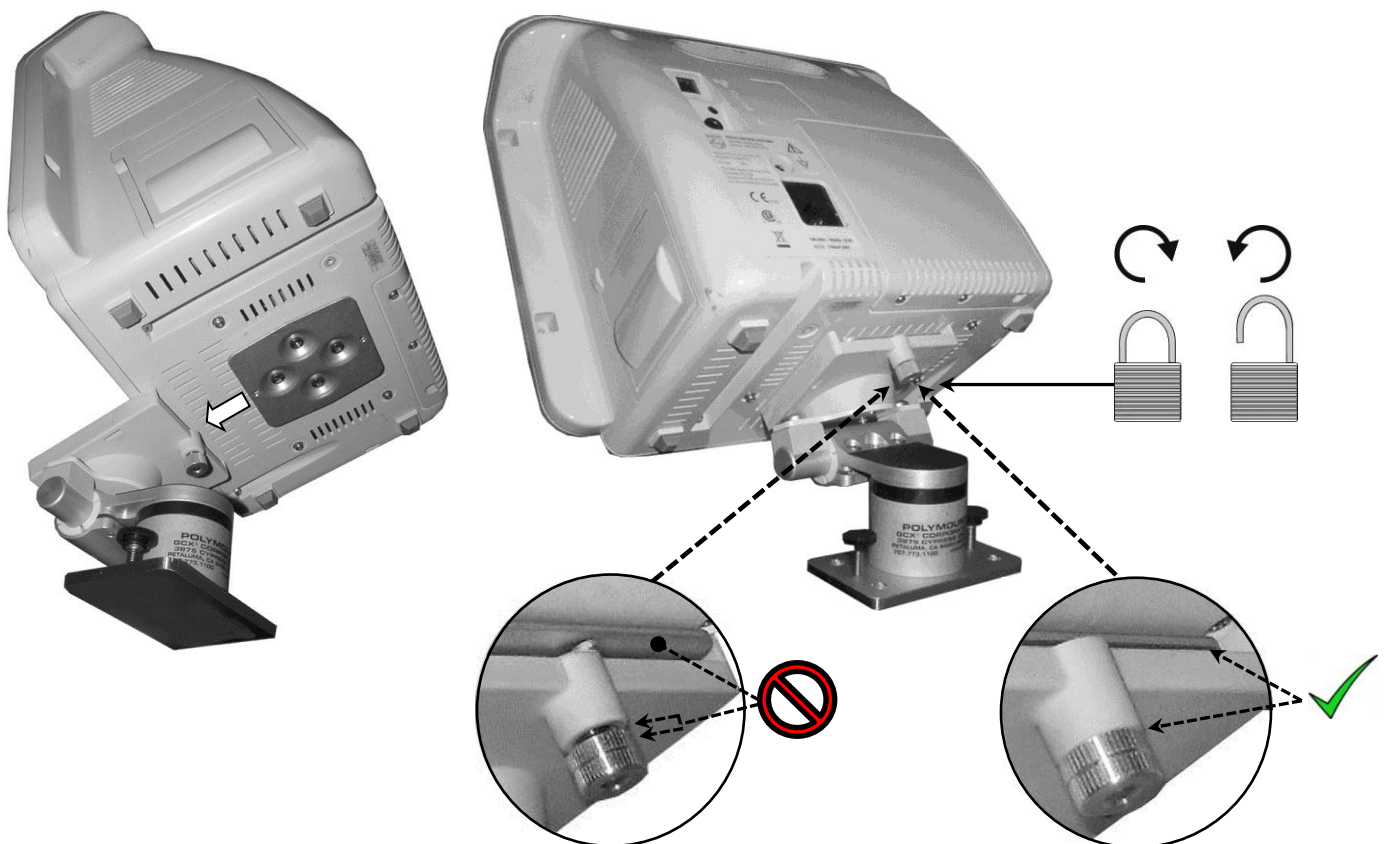
## Attaching Mounting Adapter to Monitor

1. Orient the Mounting Adapter with alignment holes toward front and rear (see callout below). Fasten Adapter to bottom of monitor with four (4) M4 x 12mm PHMS and M4 Lock Washers (A) or three (3) M4 x 12mm PHMS and M4 Lock Washers (B) as shown.



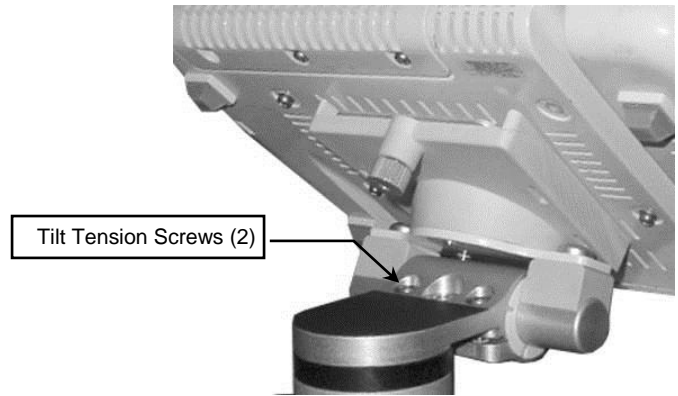
## Mounting the Monitor in the Tilt/Swivel Mount

1. Slide Mounting Adapter into Receptacle from the rear as shown below left.
2. Tighten Thumbscrew at rear of Receptacle (below right).



## Adjusting Tilt Tension

1. Tilt monitor forward as far as possible.
2. Using the 5/32" hex wrench provided, equally tighten or loosen the two (2) tilt tension screws on the rear of the tilt clamp.



## Routine Maintenance

Periodically check all mounting hardware. Tighten as necessary for optimal operation.

## Cleaning the Mounting Assembly

**CAUTION:** GCX makes no claims regarding the efficacy of the listed chemicals or processes as a means for controlling infection. Consult your hospital's infection control officer or epidemiologist. To clean or sterilize mounted instruments or accessory equipment, refer to the specific instructions delivered with those products.

1. The mounting assembly may be cleaned with most mild, non-abrasive solutions commonly used in the hospital environment (e.g. diluted bleach, ammonia, or alcohol solutions).
2. The surface finish will be permanently damaged by strong chemicals and solvents such as acetone and trichloroethylene.
3. Do not use steel wool or other abrasive material to clean the mounting assembly.
4. Damage caused by the use of unapproved substances or processes will not be covered by warranty. We recommended that you test any cleaning solution on a small area of the mounting assembly that is not visible to verify compatibility.
5. Never submerge or allow liquids to enter the mounting assembly. Wipe any cleaning agents off of the mounting assembly immediately, using a water-dampened cloth. Dry mounting assembly thoroughly after cleaning.