

Installation Guide

Post / Rail Clamp (PRC) Mount for Philips SureSigns Monitor

The purpose of this guide is to:

1. Describe attachment of Mounting Adaptor to monitor (page 1).
2. Describe installation of the Mount on a pole (page 2).
3. Describe mounting of monitor (page 2).

Parts Reference

The following parts and hardware are included in this installation kit (hardware not shown):

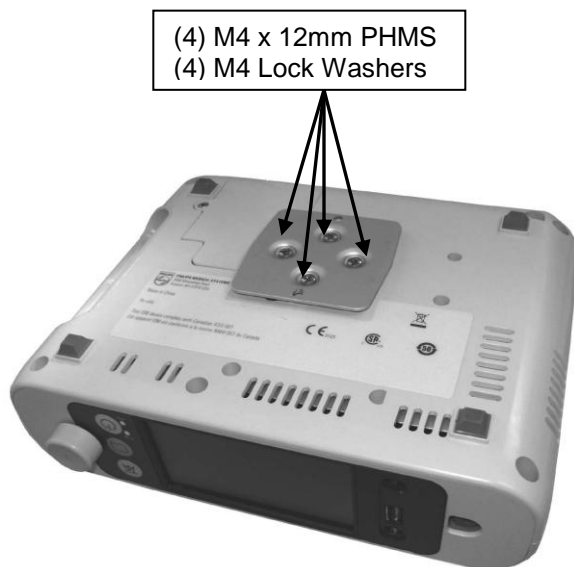
Item #	Description	Qty
1	Mounting Assembly with PRC Clamp	1
2	Mounting Adaptor	1
3	M4 x 12mm Pan Head Machine Screw (PHMS)	4
4	M4 Split Lock Washer	4

Tools Required

- Phillips Screwdriver (not provided)

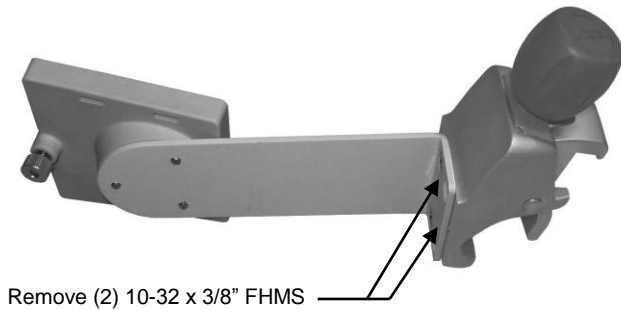
Attaching Mounting Adaptor to Monitor

1. Orient the Mounting Adaptor with alignment holes toward front and rear (see callout below). Fasten Adaptor to bottom of Monitor with (4) M4 x 12mm PHMS and (4) M4 Split Lock Washers or (3) M4 x 12mm PHMS and (3) M4 Split Lock Washers as shown.



Changing Mount from Post to Rail applications

1. Remove the two (2) 10-32 x 3/8" Flat Head Machine Screws (FHMS) that attach the Clamp to the Mount (below left).
2. Rotate Clamp 90° CW and secure with (2) 10-32 x 3/8" FHMS (below right).



Mounting Clamp on Post (.75" [19 mm] to 1.5" [38 mm] Dia.) or Rail (10 mm x 25 mm)

1. Open Clamp by turning knob counterclockwise (CCW). Position Clamp around post or over rail and turn Knob clockwise (CW) to tighten.

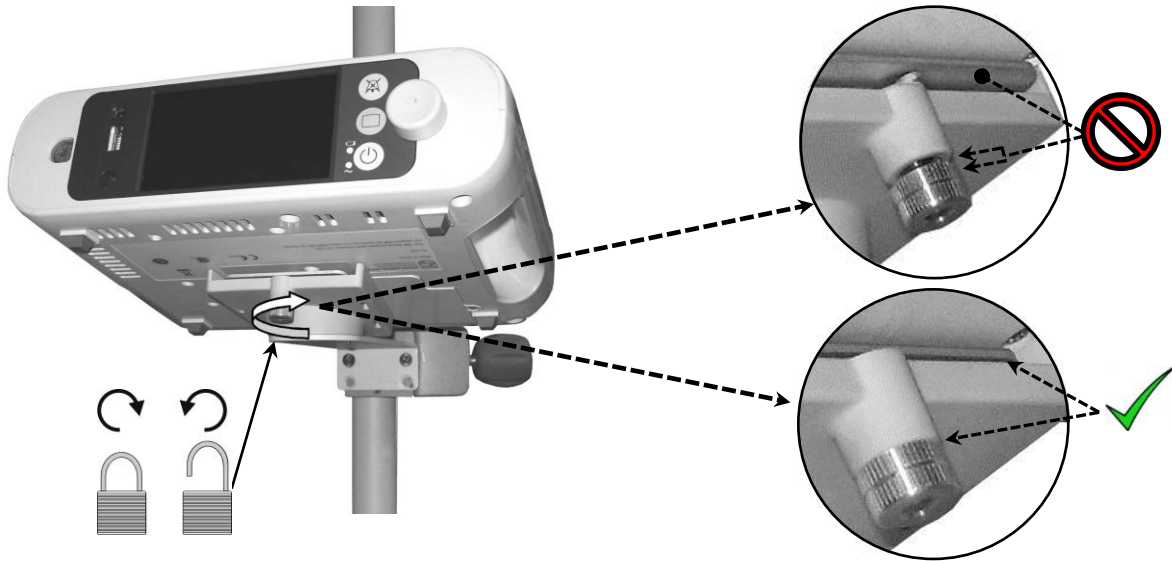


Mounting the Monitor to the Pole Mount

1. Slide Mounting Adaptor into receptacle from the rear as shown below



2. Tighten Thumb Screw at front of receptacle to lock monitor into place (below right).



Routine Maintenance

Periodically inspect all mounting hardware and tighten or adjust as necessary for optimal operation and safety.

Cleaning the Mounting Assembly

Caution: GCX makes no claims regarding the efficacy of the listed chemicals or processes as a means for controlling infection. Consult your hospital's infection control officer or Epidemiologist. To clean or sterilize mounted instruments or accessory equipment, refer to the specific instructions delivered with those products.

1. The mounting assembly may be cleaned with most mild, non-abrasive solutions commonly used in the hospital environment (e.g. diluted bleach, ammonia, or alcohol solutions).
2. The surface finish will be permanently damaged by strong chemicals and solvents such as acetone and trichloroethylene.
3. Do not use steel wool or other abrasive material to clean the mounting assembly.
4. Damage caused by the use of unapproved substances or processes will not be covered by warranty. We recommend testing of any cleaning solution on a small area of the mounting assembly that is not visible to verify compatibility.
5. Never submerge or allow liquids to enter the mounting assembly. Wipe any cleaning agents off of the mounting assembly immediately using a water-dampened cloth. Dry mounting assembly thoroughly after cleaning.