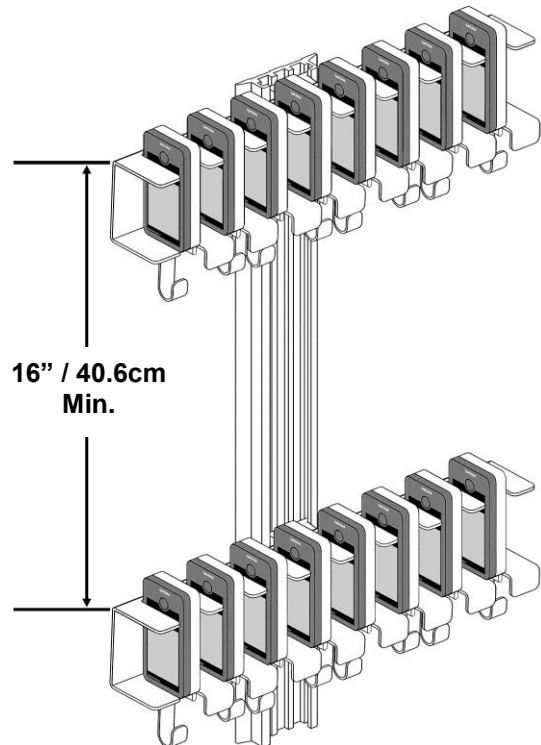
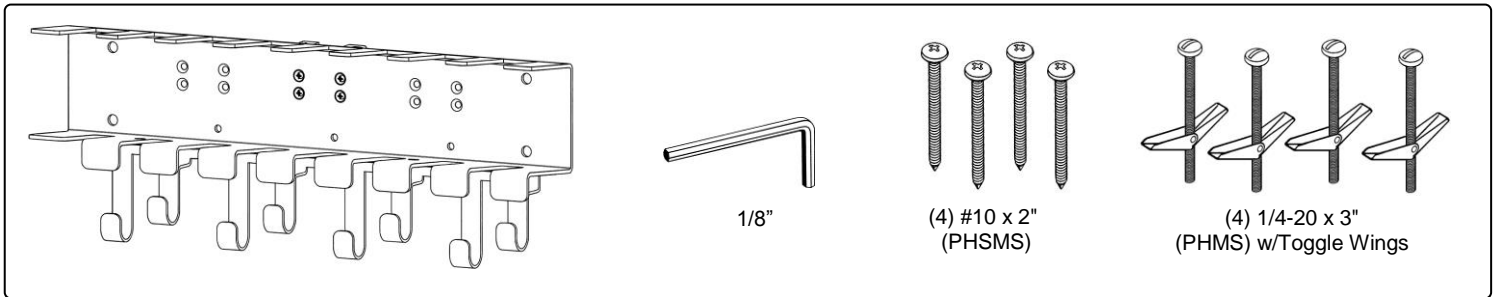
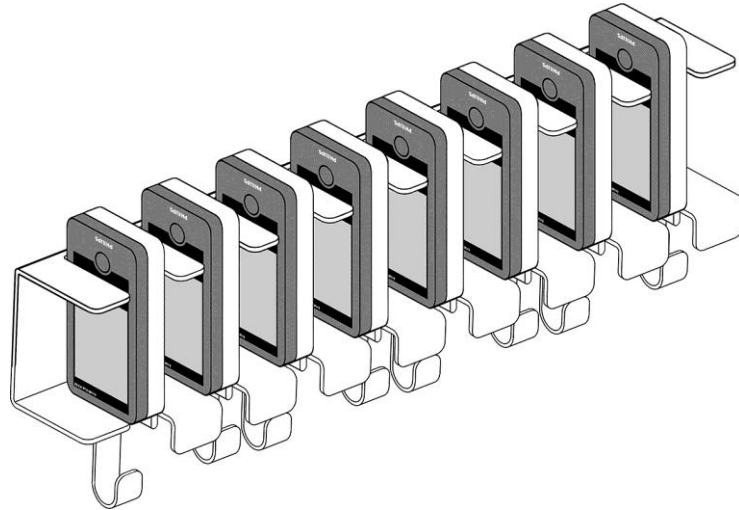
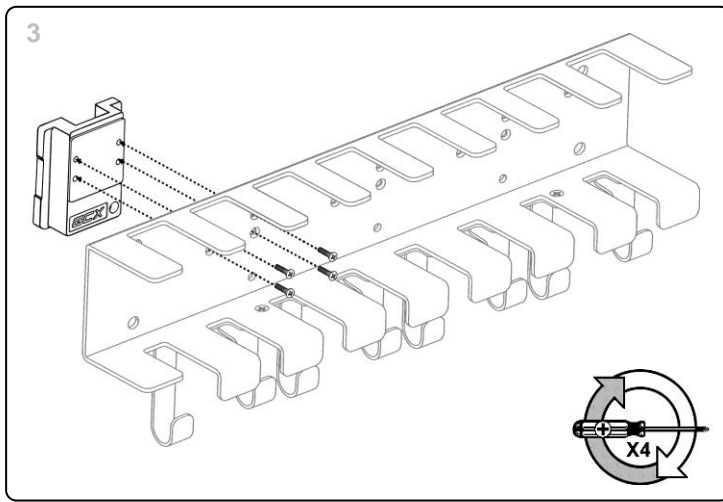
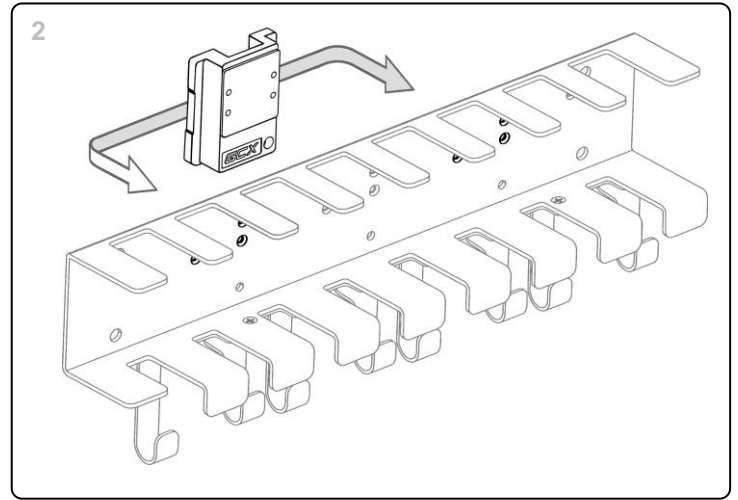
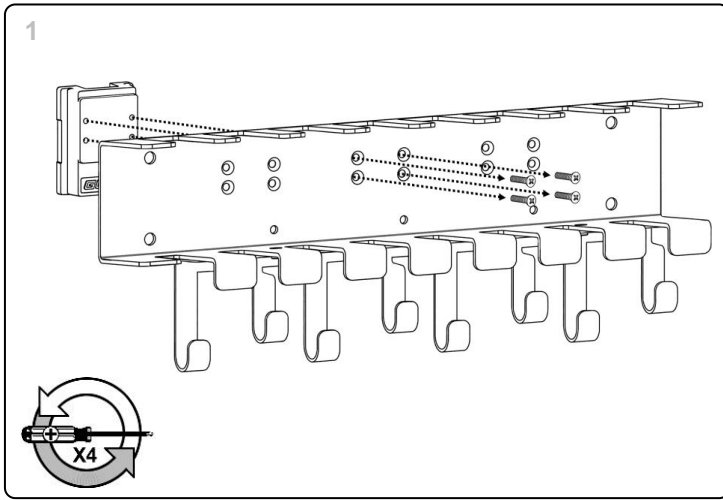


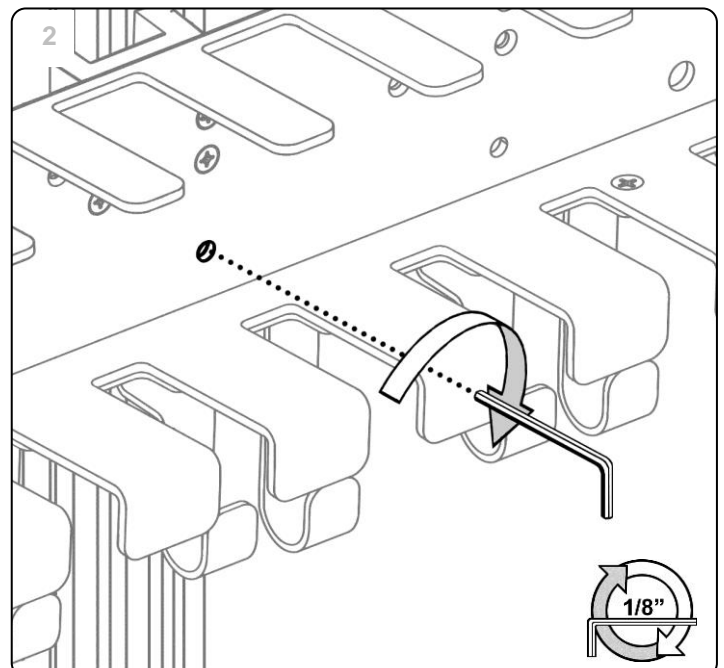
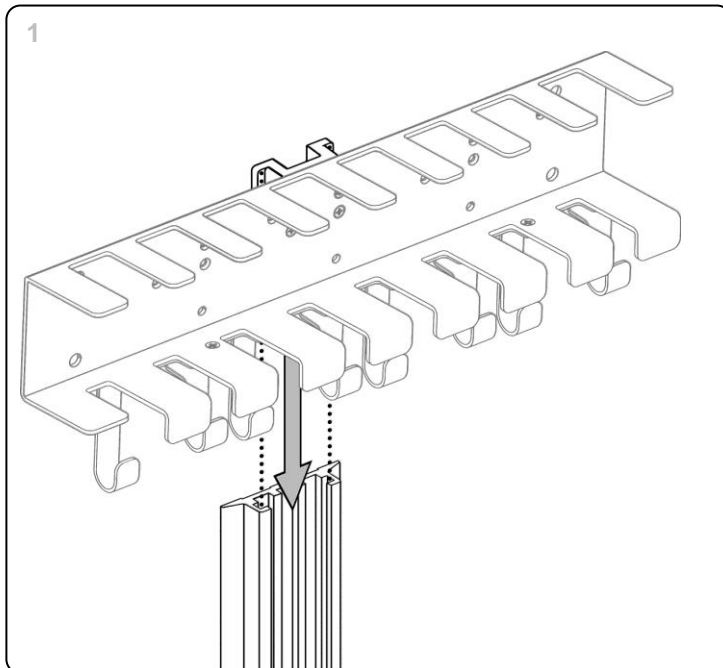
MX40 Wall Storage



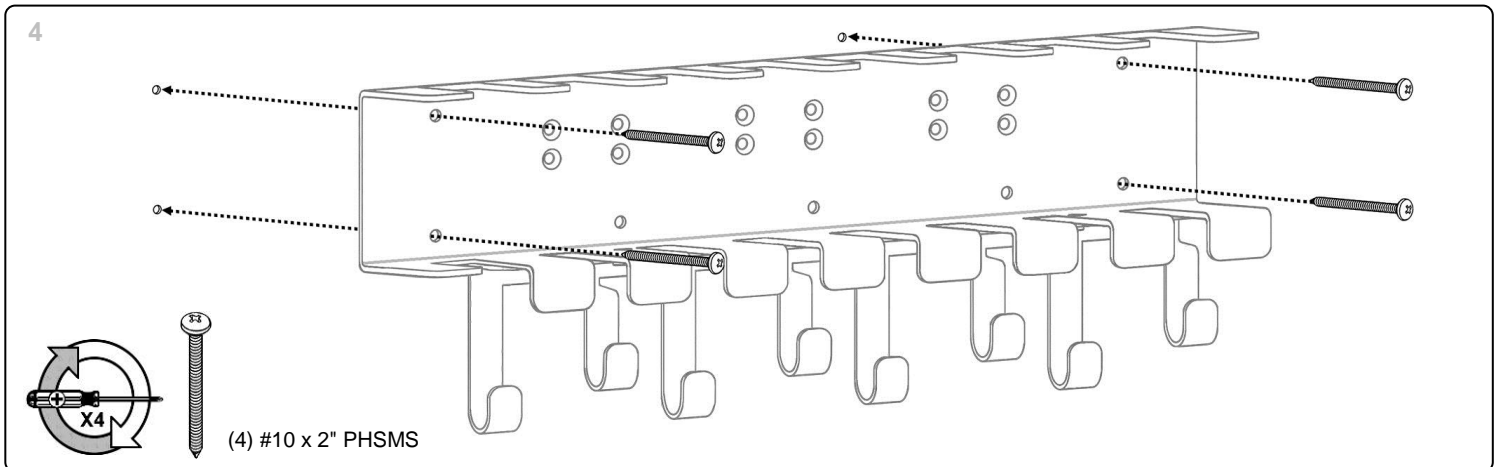
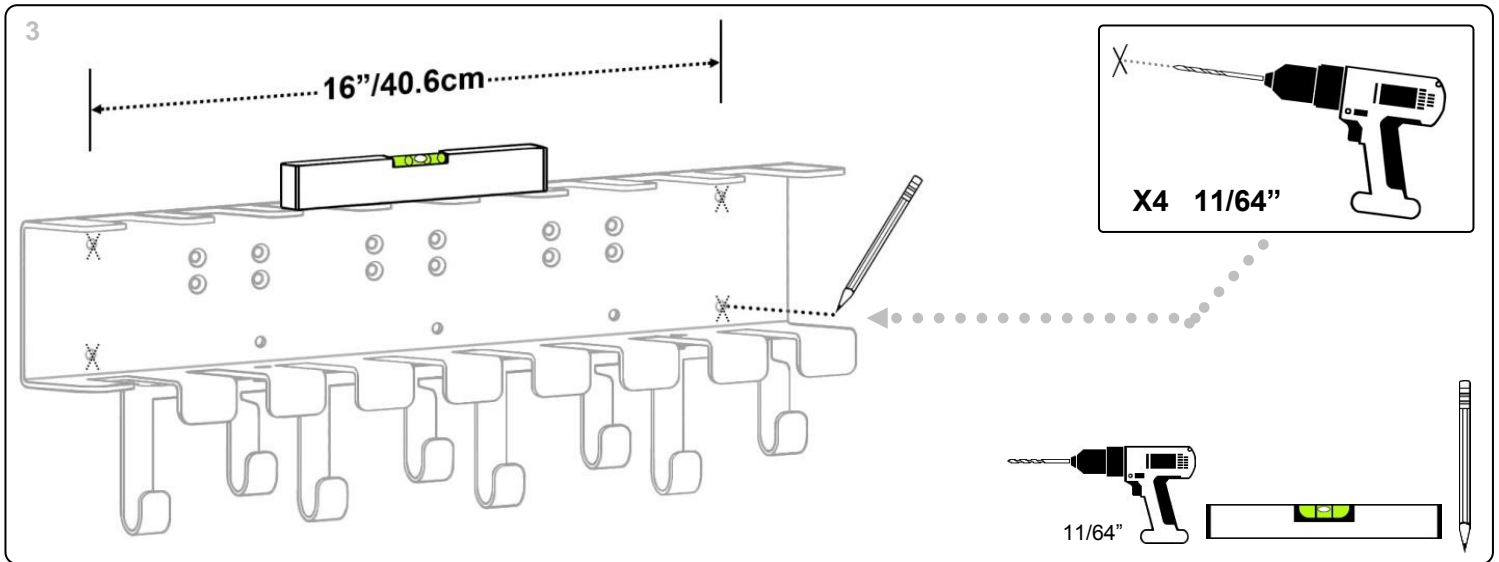
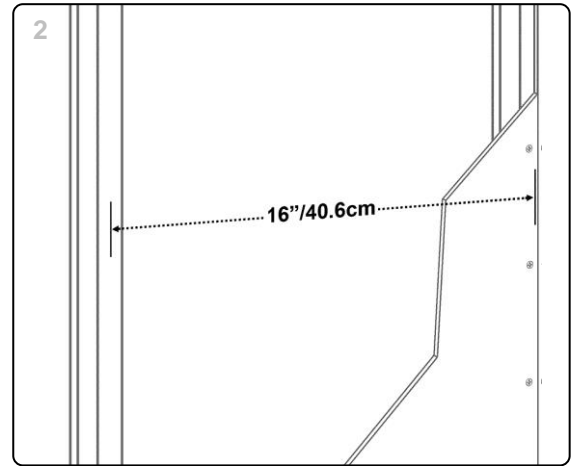
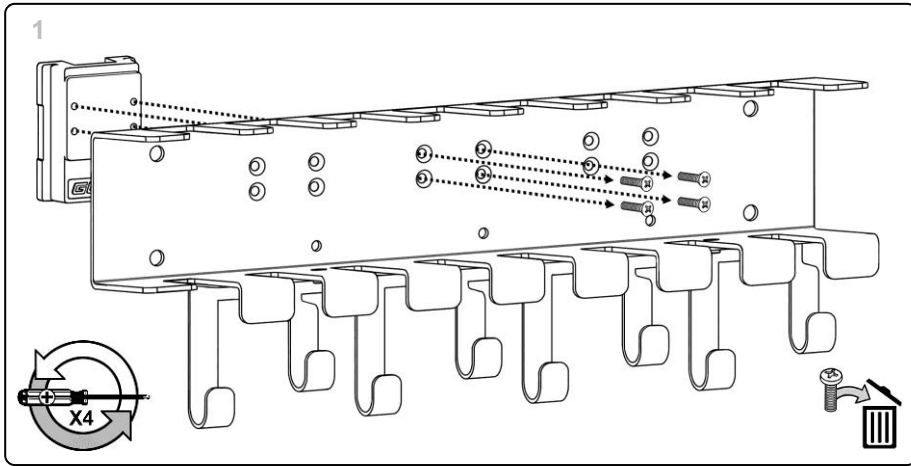
Relocating Channel Slide (L or R)



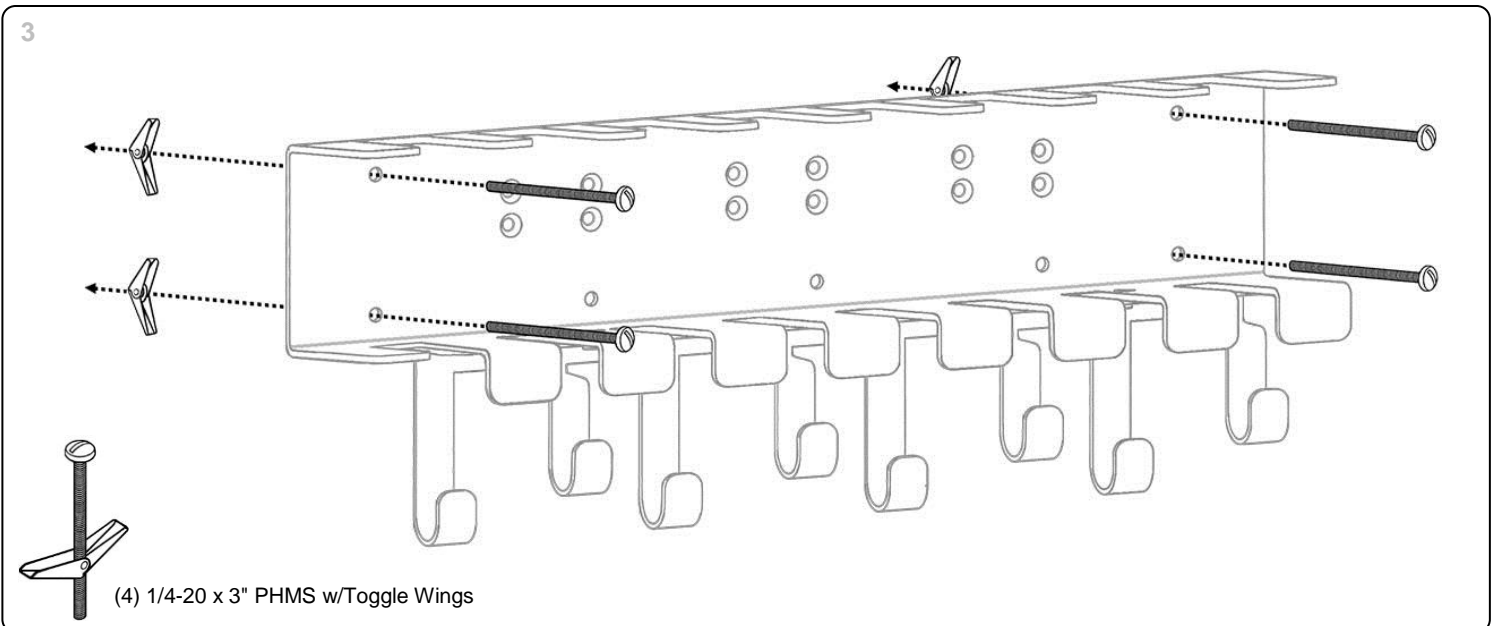
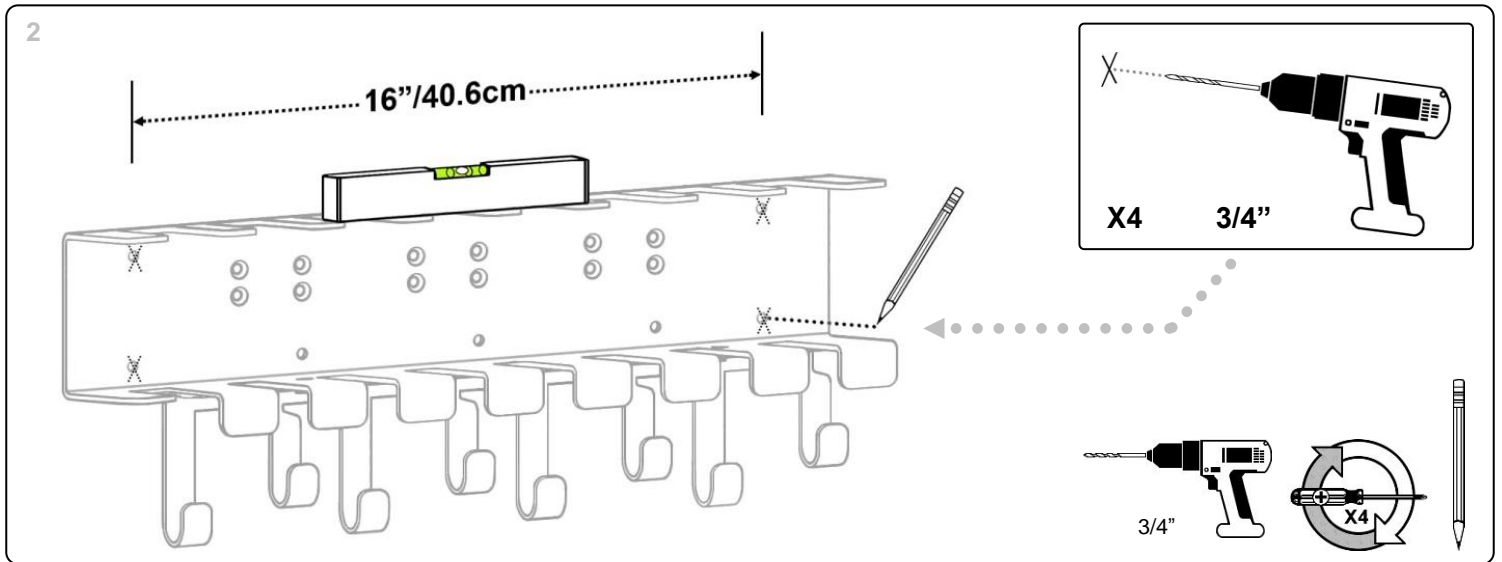
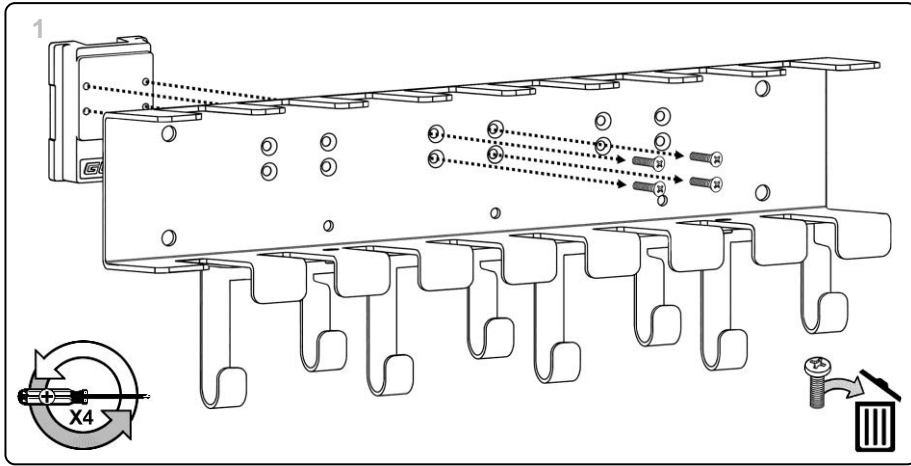
Channel Mount Installation



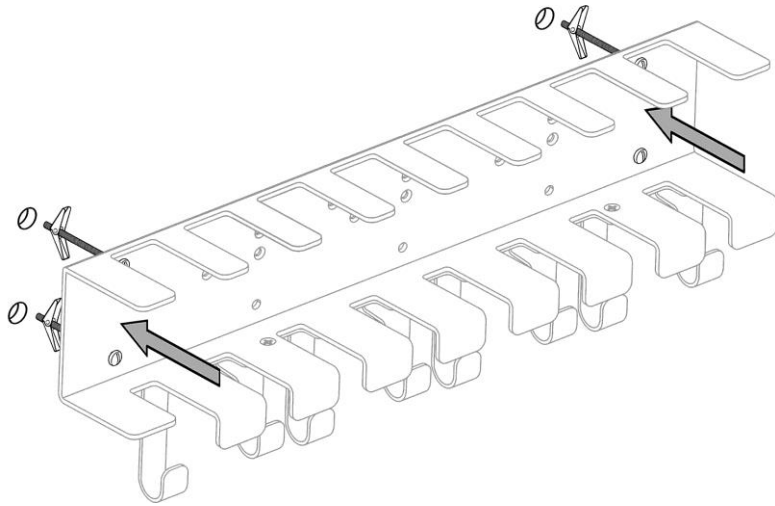
Direct Wall Mount Installation (Style A)



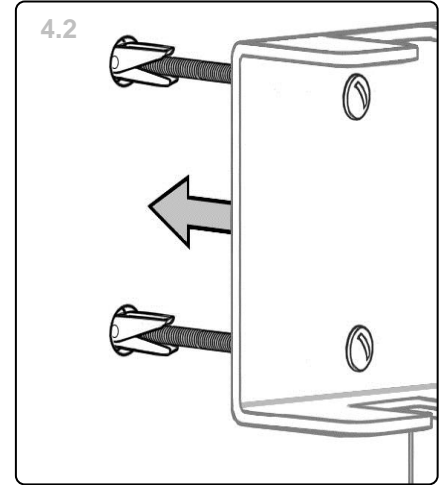
Direct Wall Mount Installation (Style B)



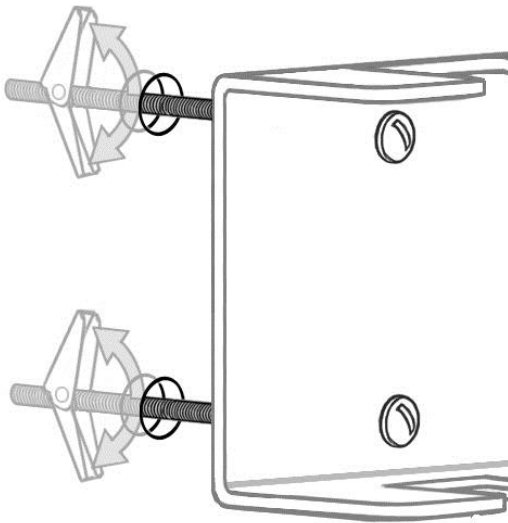
4.1



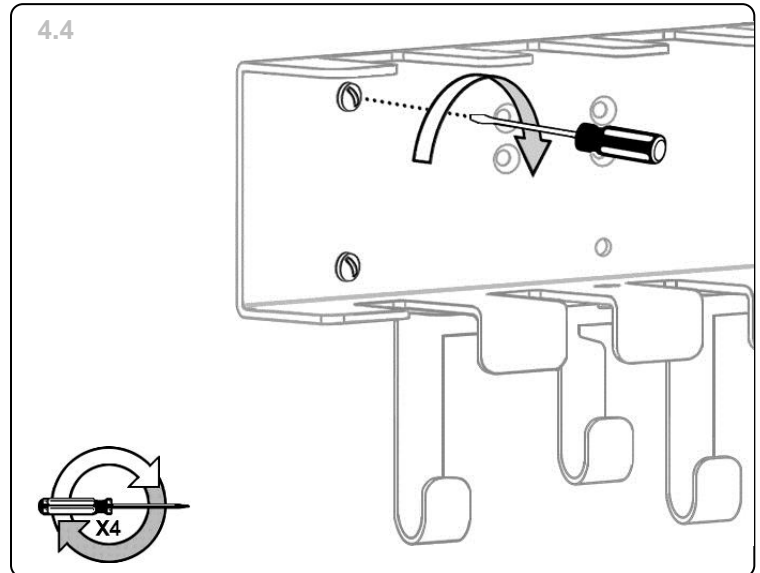
4.2



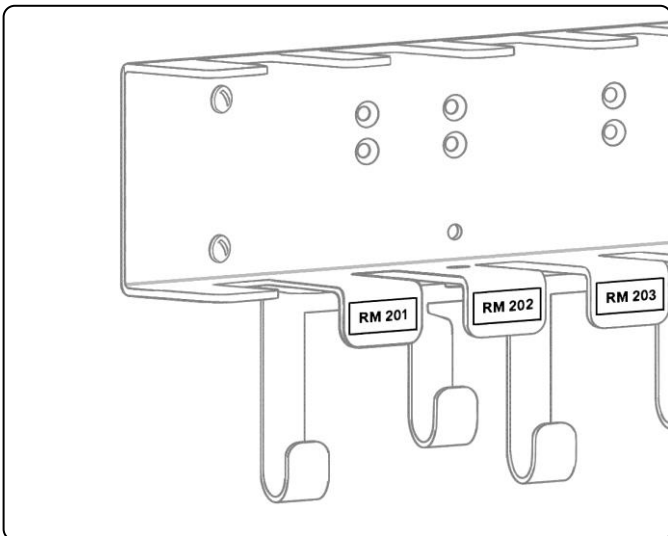
4.3



4.4



Label Placement



Cabling

