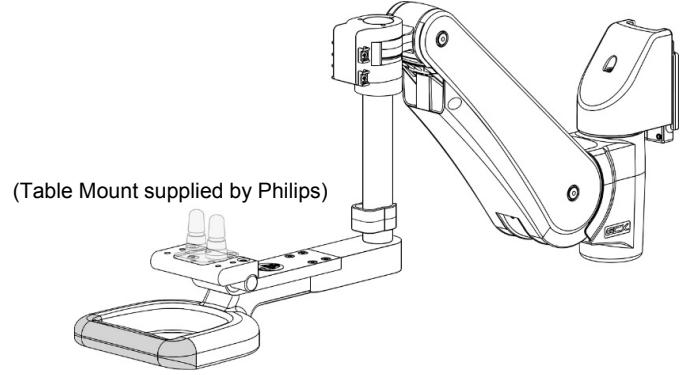
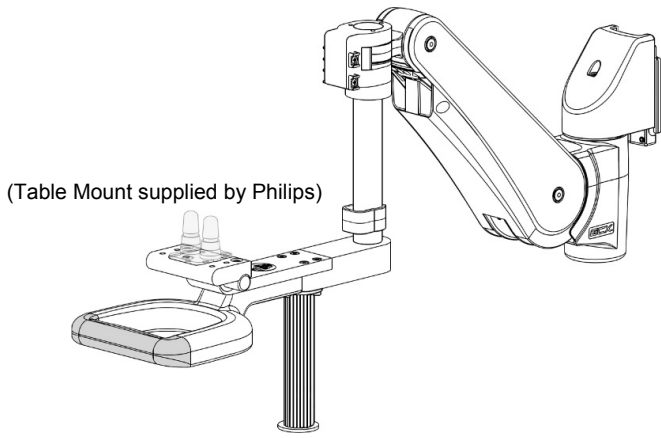


**VHM-P (Non-Locking) Variable Height Arm
with Slide Above Arm and Philips Suspension Front End
For Philips IntelliVue MP20/30/40/50/60/70, MX400/450/500/550/600/700/800
Operation Manual**



PH-0077-52 | **MP60/70**
MX600/700/800



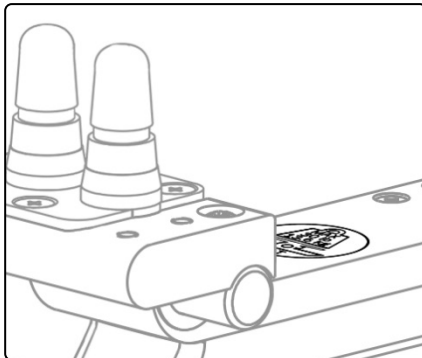
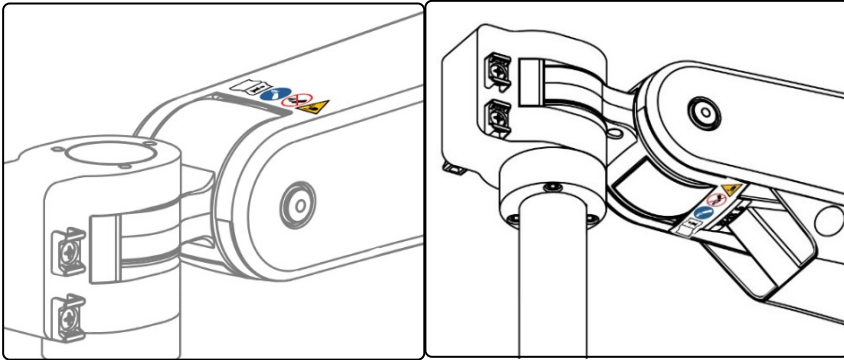
Load Range: 25 - 45 lb / 11.3 - 20.4 kg
Maximum Tilt Weight Limit: 30 lb / 13.6 kg

PH-0079-29 | **MP20/30/40/50**
MX400/450/500/550



Load Range: 15 - 30 lb / 6.8 - 13.6 kg

Safety Label Locations (VHM-P Series Arms)



Refer to Installation Guide for additional information.



Remove the Device only when the Arm is at the highest position.



Do not remove device when arm is in a lowered position.



Potential pinch point that may cause personal injury.



Maximum weight for mounting plate with tilt function.

Counter Balance Load Range:
25 - 45 lb / 11.3 - 20.4 kg
or
15 - 30 lb / 6.8 - 13.6 kg



CAUTION: For MX600/700/800 - It is possible to position the device so there is potential for interference between the device and the Arm. Regardless of model number, ensure the device mounting locking mechanism is properly engaged at all times.

