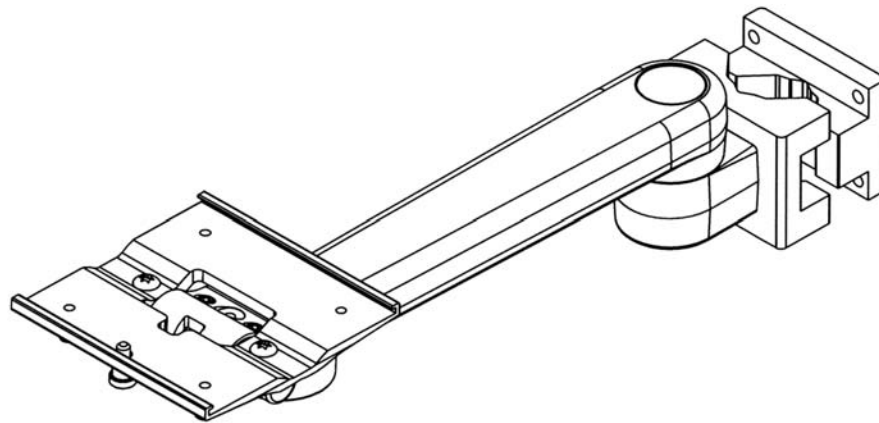


Installation Guide
M Series Arm with Poly Clamp

Refer to qualified personnel for installation



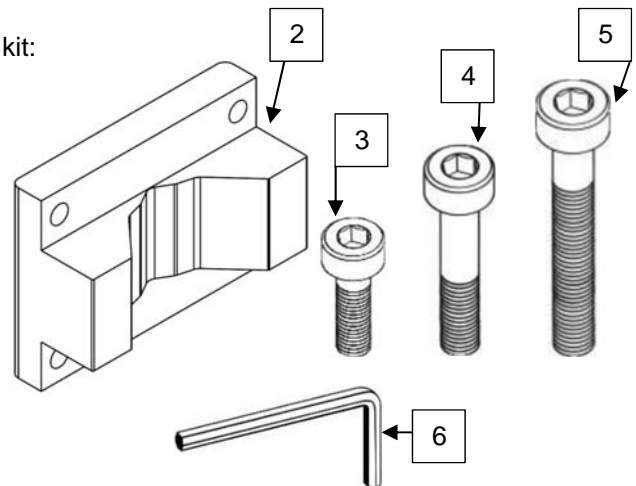
Max Allowable Load Mounted is 25 lbs.

Ensure adequate load capacity of attachment structure(s) prior to installing this mounting accessory and mounting related equipment. Failure to follow load limits and warning may result in damage to equipment or injury to personnel.

Parts Reference

The following parts and hardware are included in this installation kit:

Item #	Description	Qty.
1	Polymount Poly Clamp Mounting System	1
2	Clamping Block	1
3	1/4-20" x 1" Socket Head Cap Screw (SHCS)	4
4	1/4-20" x 1.5" SHCS	4
5	1/4-20" x 2.5" SHCS	4
6	3/16" Hex Key	1



*See Installation Guide with the Arm for Additional parts and hardware plus operation instructions

Tools Required:

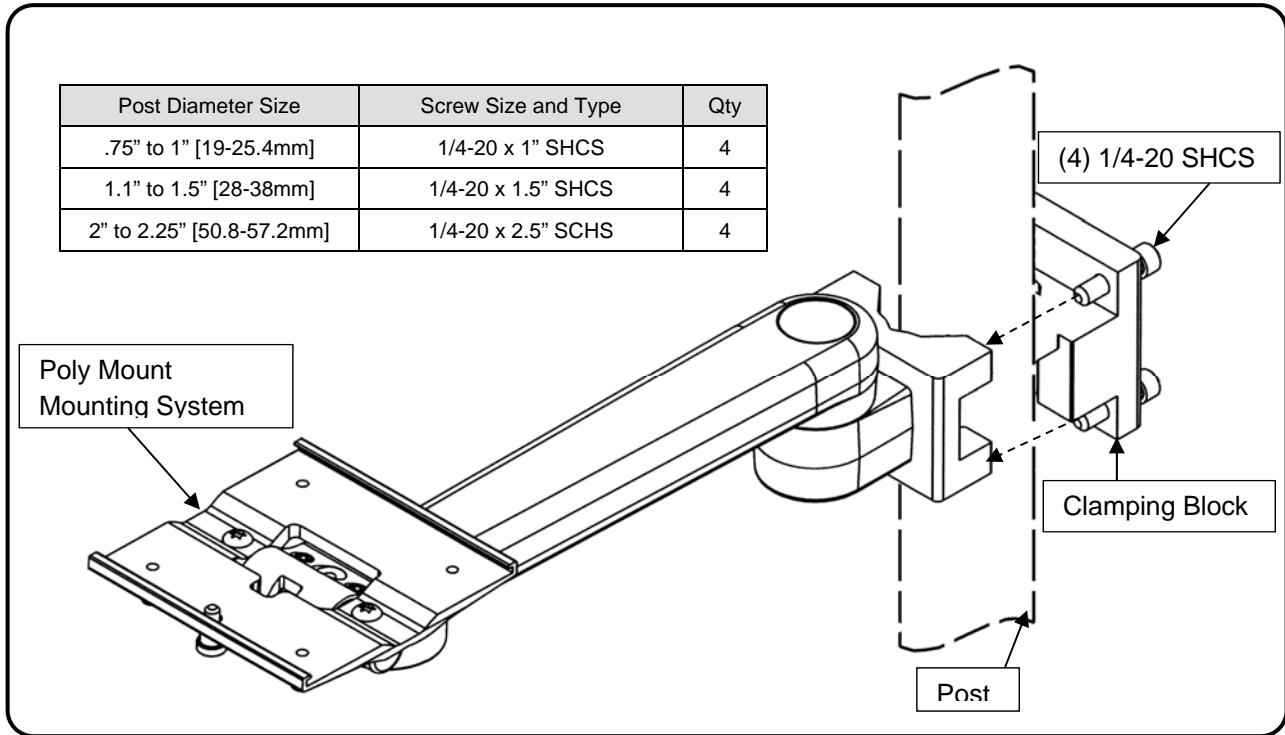
- 3/16" Hex Key (provided)



Warning- Post wall thickness must be a minimum of 1/16" or 1.5mm Steel/Stainless Steel.

Attaching Mounting Arm to Post

1. Identify post diameter and choose proper screw length (see chart below)
2. Using a 3/16" hex wrench, alternatively tighten screws until mounting arm is secure on post. The side gaps between the Mount Clamp and Clamping Block should be nominally equal.



Routine Maintenance

Periodically inspect all fasteners associated with the mounting assembly. Tighten or Adjust as necessary for optimal operation and safety.

Cleaning the Mounting Assembly

The mounting assembly may be cleaned with most mild, non-abrasive solutions commonly used in the hospital environment (e.g. diluted bleach, ammonia, or alcohol solutions).

The surface finish will be permanently damaged by strong chemicals and solvents such as acetone or trichloroethylene.

Steel wool or other abrasive material should never be used.

Damaged caused by the use of unapproved substances or processes will not be warranted. We recommend testing of any cleaning solution on a small area of the mounting assembly that is not visible to verify compatibility.

Never submerge or allow liquids to enter the mounting assembly. Wipe any cleaning agents off the mounting assembly immediately using a water-dampened cloth. Dry the assembly thoroughly after cleaning.

CAUTION: GCX makes no claims regarding the efficacy of the listed chemicals or processes as a means for controlling infection. Consult your hospital's infection control officer or epidemiologist. To clean or sterilize mounted devices or accessory equipment, refer to the specific instructions delivered with those products.