

Installation Guide

Drop on Mounting Adaptor for Spacelabs 91390 Monitor



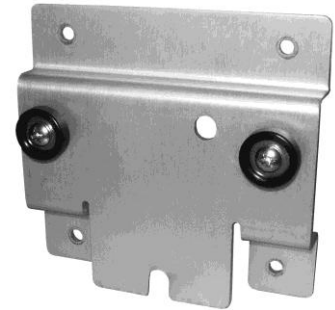
The purpose of this guide is to:

- Describe Attaching Spacelabs 91390 Drop-On style Mounting Adaptor (page 2).
- Describe Mounting Monitor (page 2).
- Describe Routine Maintenance (page 3).

Parts Reference

The following parts are included in this installation kit (hardware not shown) :

Item #	Description	Qty
1	Drop-On Mounting Adaptor	1
2	M4 x 12mm Pan Head Machine Screw (PHMS)	4

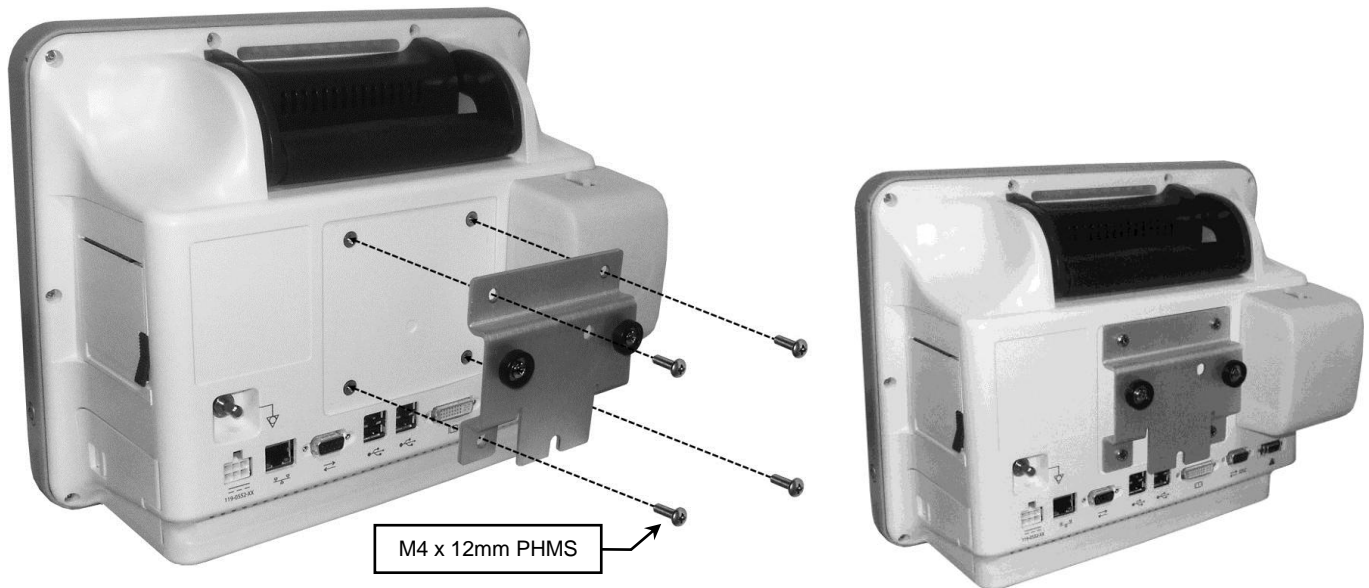


Tools Required:

- #1 and #2 Phillips-head screwdriver

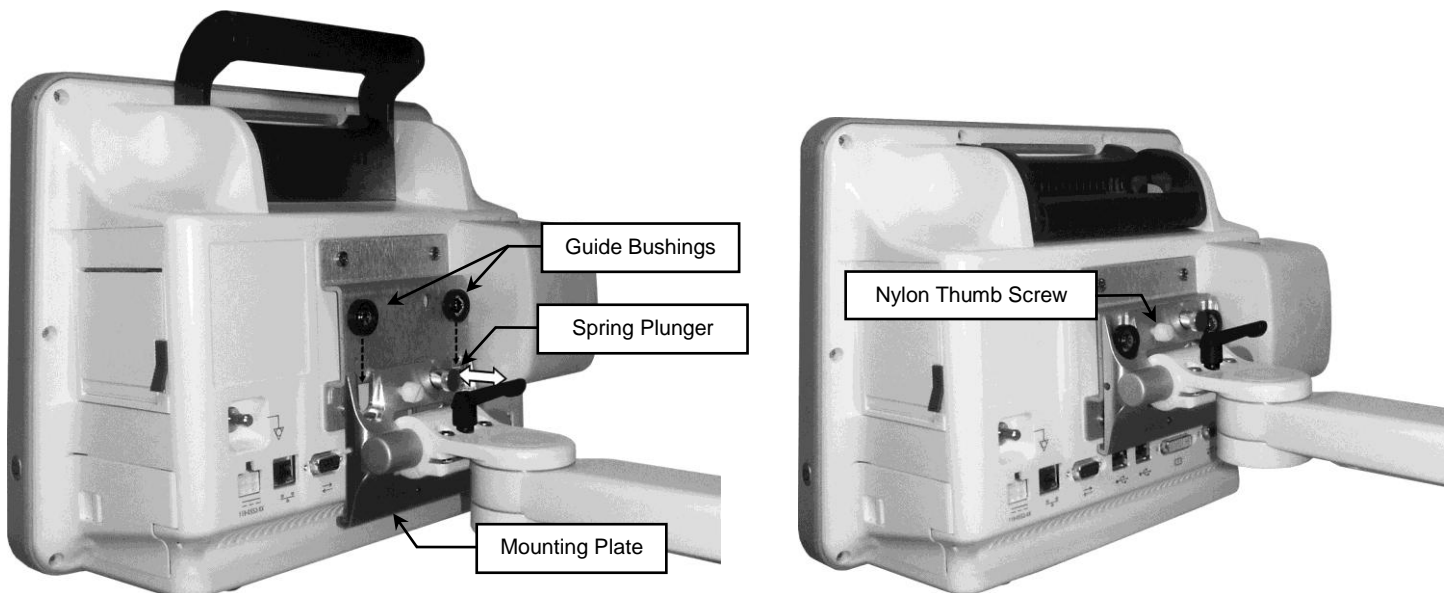
Attaching Spacelabs 91390 Drop-On Style Mounting Adaptor

1. Fasten mounting adaptor to rear of monitor using the (4) M4 x 12mm PHMS.



Mounting Monitor on Drop-On Style Mounting Plate

1. Guide the mounting adaptor down onto the mounting plate, so that the (2) guide bushings drop into the U-shaped slots in the mounting plate. The spring plunger will engage in the clearance hole when properly attached.
2. To reduce movement of the monitor, tighten the nylon thumb screw located on the mounting plate.



Routine Maintenance

Periodically inspect all fasteners associated with the mounting system. Tighten as necessary for optimal operation and safety.

Cleaning the Mounting Assembly

Warning:

For 91390, use only recommended cleaning solutions, or you may void the manufacturer's warranty. Refer to the product specific Operator manual for additional cleaning instructions and recommended cleaning solutions for the 91390.

1. The mounting assembly may be cleaned with most mild, non-abrasive solutions commonly used in the hospital environment (e.g. diluted bleach, ammonia, or alcohol solutions).
2. The surface finish will be permanently damaged by strong chemicals and solvents such as acetone and trichloroethylene.
3. Do not use steel wool or other abrasive material to clean the mounting assembly.
4. Damage caused by the use of unapproved substances or processes will not be covered by warranty. We recommended that you test any cleaning solution on a small area of the mounting assembly that is not visible to verify compatibility.
5. Never submerge or allow liquids to enter the mounting assemblies. Wipe any cleaning agents off the mounting assembly immediately using a water-dampened cloth. Dry all mounting assemblies thoroughly after cleaning.

CAUTION: GCX makes no claims regarding the efficacy of the listed chemicals or processes as a means for controlling infection. Consult your hospital's infection control officer or epidemiologist. To clean or sterilize mounted instruments or accessory equipment, refer to the specific instructions delivered with those products.