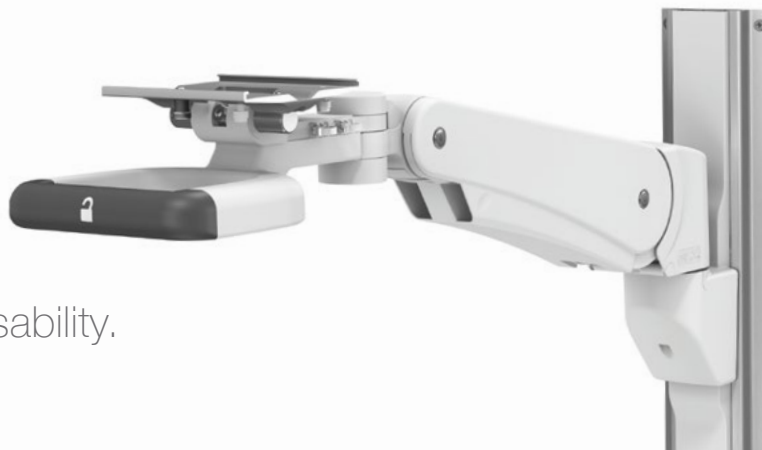


VHM-P and VHM-PL

VARIABLE HEIGHT ARM

The industry's leading adjustable mounting arm delivers unparalleled usability.

PATENT PENDING



FEATURES

Cable Management

Enables easier cleaning, provides simple access for service, and creates a professional-looking installation.

- Up to eight (8) cables can be accommodated
- 80 percent (approx.) of cabling is concealed
- Covers can be easily removed and reinstalled

Precision

The arm moves smoothly into place at every point across its full range of motion for optimal positioning and viewing.

- Seamless, unibody construction
- Swivel/tilt and pivot-tension adjustments and parallel linkage for consistent viewing angle

Handle-Actuated Lock (Locking version only)

For quick and safe vertical repositioning of the mounted device without interrupting workflow. The handle also facilitates one-handed positioning.

- Handle grip that initiates, and arrests, the arm's gas spring-assisted vertical movement

Durability and Cleanability

Withstands constant use and cleaning regimens to outlast generations of devices. Easy to keep clean to fight the spread of infection.

- Medical-grade arm
- Strong, seamless, chemically resistant materials including die-cast aluminum
- Enclosed cables and pivot points



HANDLE-ACTUATED LOCK



CABLE MANAGEMENT



SEAMLESS, UNIBODY CONSTRUCTION



ENCLOSED CABLES AND PIVOT POINTS

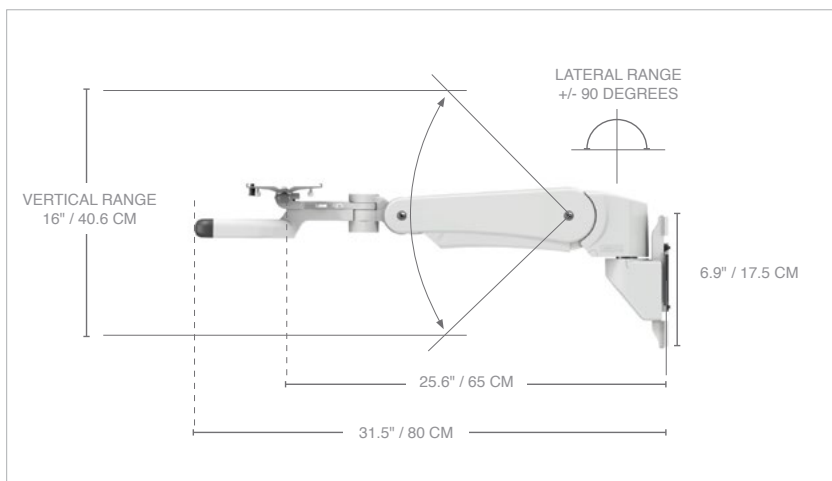
TECHNICAL SPECIFICATIONS

- **Vertical range:** 16" / 40.6 cm total travel
- **Lateral range:** +/- 90 degrees
- **Load ranges:**
 - **VHM-PL:** 11 - 30 lbs / 5.0 - 13.6 kg or 20 - 45 lbs / 9.1 - 20.4 kg - Max Mounting Plate Load: 30 lbs / 13.6 kg
 - **VHM-P:** 15 - 30 lbs / 6.8 - 13.6 kg or 25 - 45 lbs / 11.3 - 20.4 kg - Max Mounting Plate Load: 30 lbs / 13.6 kg
- **Product weight:** 9.5 lb / 4.3 kg (locking) or 9.4 lb / 4.3 kg (nonlocking)

AVAILABLE ACCESSORIES

- Cable Management Hooks
- Down Post for Ancillary Devices
- Module Housing Hanger
- Handle for VHM-P

Channel sold separately.

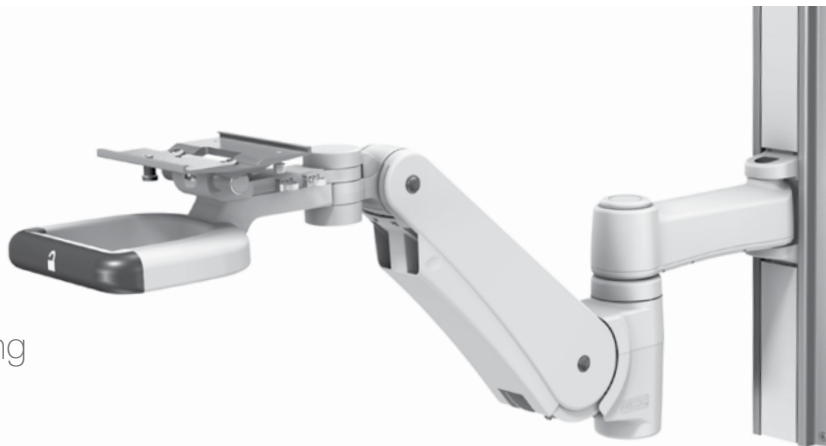


VHM-P and VHM-PL with Extension

VARIABLE HEIGHT ARM

The industry's leading adjustable mounting arm delivers unparalleled usability.

PATENT PENDING



FEATURES

Cable Management

Enables easier cleaning, provides simple access for service, and creates a professional-looking installation.

- Up to eight (8) cables can be accommodated
- 80 percent (approx.) of cabling is concealed
- Covers can be easily removed and reinstalled

Precision

The arm moves smoothly into place at every point across its full range of motion for optimal positioning and viewing.

- Seamless, unibody construction
- Swivel/tilt and pivot-tension adjustments and parallel linkage for consistent viewing angle

Handle-Actuated Lock (Locking version only)

For quick and safe vertical repositioning of the mounted device without interrupting workflow. The handle also facilitates one-handed positioning.

- Handle grip that initiates, and arrests, the arm's gas spring-assisted vertical movement

Durability and Cleanability

Withstands constant use and cleaning regimens to outlast generations of devices. Easy to keep clean to fight the spread of infection.

- Medical-grade arm
- Strong, seamless, chemical-resistant materials including die-cast aluminum
- Enclosed cables and pivot points



LOCKING
HAND-ACTUATED HANDLE
NON-LOCKING AVAILABLE



CABLE
MANAGEMENT



SEAMLESS, UNIBODY
CONSTRUCTION



ENCLOSED CABLES
AND PIVOT POINTS

TECHNICAL SPECIFICATIONS

- **Vertical range:** 16" / 40.6 cm total travel
- **Lateral range:** +/- 90 degrees
- **Load ranges:**
 - **VHM-PL:** 11 - 30 lbs / 5.0 - 13.6 kg or 20 - 45 lbs / 9.1 - 20.4 kg - Max Mounting Plate Load: 30 lbs / 13.6 kg
 - **VHM-P:** 15 - 30 lbs / 6.8 - 13.6 kg or 25 - 45 lbs / 11.3 - 20.4 kg - Max Mounting Plate Load: 30 lbs / 13.6 kg
- Available with 8" / 20.3 cm or 14" / 35.6 cm Extension

AVAILABLE ACCESSORIES

- Cable Management Hooks
- Down Post for Ancillary Devices
- Module Housing Hanger
- Handle for VHM-P

Channel sold separately.

