

VHM-T

VARIABLE HEIGHT ARM FOR TABLETS

The industry's only medical-grade mounting arm for tablets.

PATENT PENDING



FEATURES

Cable Management

Enables easier cleaning, provides simple access for service, and creates a professional-looking installation.

- Up to two (2) cables can be accommodated
- 100 percent (approx.) of cabling is concealed
- Covers can be easily removed and reinstalled
- Stops at the front-end, Slide/Channel pivot point and midway pivot on extension version to prevent cable damage

Precision & Ease of Movement

The arm moves smoothly into place at every point across its full range of motion for optimal positioning and viewing.

- Swivel and tilt adjustability at the front-end with preset tension
- Rotation at the front-end for portrait/landscape screen orientation
- Pivot positioning at the Slide/Channel interface
- Pivot at the mid-point for version with extension
- Parallel linkage for consistent viewing angle
- Remains in position through range of motion and load rating range without counterbalance adjustment

Durability and Cleanability

Withstands constant use and cleaning regimens to outlast generations of devices.

- Medical-grade arm designed and tested to applicable sections of IEC60601-1 3rd Edition
- Strong, chemical-resistant materials
- Die-cast aluminum core for strength

Optional Accessories

Mountable enclosure for tablet device.

TECHNICAL SPECIFICATIONS

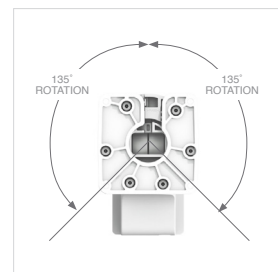
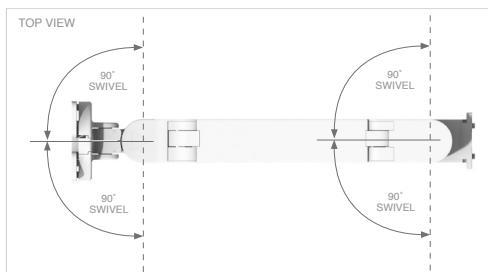
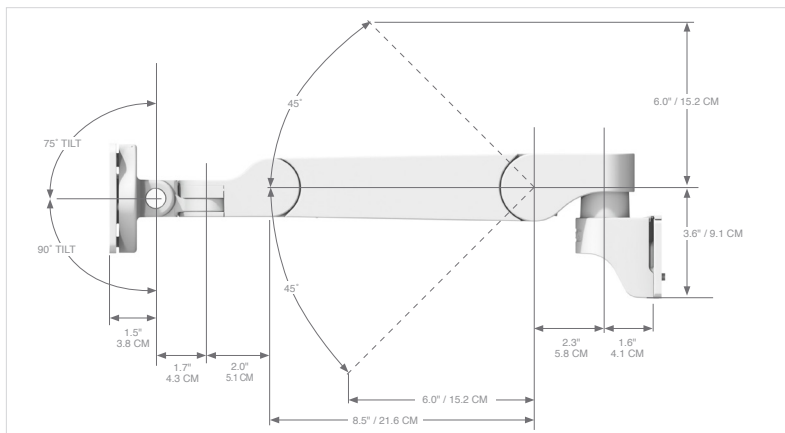
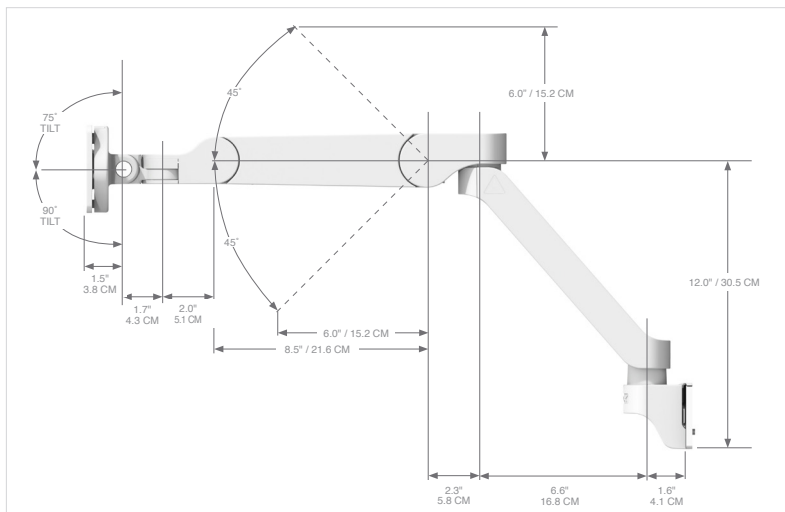
- Vertical motion range: 12" / 30.5 cm total travel
- Lateral motion range: +/- 90°
- Front-end tilt range: -75° back / +90° forward
- Front-end swivel range: +/- 90°
- Front-end rotation range: +/- 135° with mechanical rotation lock-out
- Front-end interface: VESA 75mm
- Load range: 1.5 - 4.0 lb / .7 - 1.8 kg or 3.5 - 6.0 lb / 1.6 - 2.7 kg
- Maximum offset from VESA mounting plate: .5" / 12.7 mm

Arm without Extension

- Maximum reach: 15.1 - 17.6" / 38.4 - 44.7 cm

Arm with Extension

- Maximum reach: 21.7 - 24.2" / 55.1 - 61.5 cm
- Extension length: 8.2" / 20.8 cm
- Mid pivot range: +/- 180 degrees
- Maximum cable diameter: .25" / 6.35 mm
- CE Marked / REACH & RoHS compliant
- Warranty: Free of defects in materials and workmanship for a period of five (5) years



Tablets and accessories sold separately.